

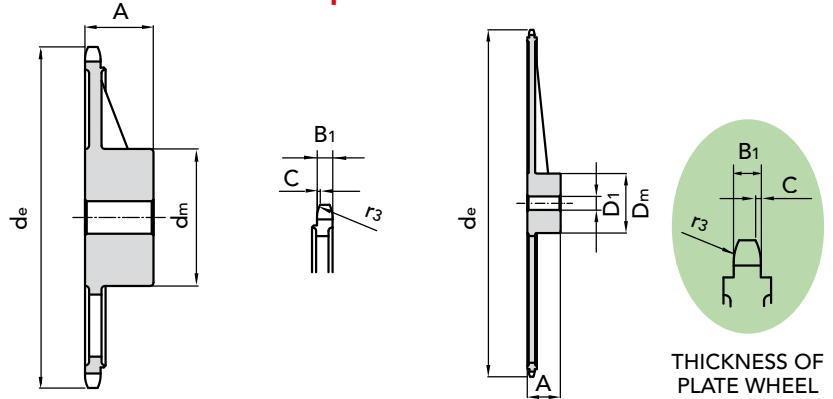

3/8" x 7/32"
CHAIN SPROCKETS

Tooth radius r_3	10	mm
Radius width C	1	mm
Sprockets tooth width B_1 (S)	5,3	mm
Sprockets tooth width b_1 (D-T)	5,2	mm
Sprockets tooth width B_2 (D)	15,4	mm
Sprockets tooth width B_3 (T)	25,6	mm

CHAIN

Pitch	9,525	mm
Inner width	5,72	mm
Roller \varnothing	6,35	mm

for roller chains in compliance with DIN 8187 ISO/R 606



SIMPLES								DOUBLE				TRIPLE					
Z	de	dp	PART NUMBER	dm	D1	A	kg.	PART NUMBER	dm	D1	A	kg.	PART NUMBER	dm	D1	A	kg.
38	119,5	115,35	12109038	70	20	32	1,12	12209038	80	24	40	1,90	12309038	90	24	56	3,00
45	140,7	136,55	12109045	70	20	32	1,30	12209045	80	24	40	2,06	12309045	90	24	56	3,56
57	176,9	172,91	12109057	70	20	32	1,55	12209057	80	24	40	2,30	12309057	90	24	56	3,97
76	234,9	230,49	12109076	70	20	32	2,00	12209076	80	24	40	3,02	12309076	100	24	56	4,52
95	292,5	288,08	12109095	80	20	40	3,83	12209095	90	24	45	4,68	12309095	100	24	56	6,12
114	349,6	345,68	12109114	80	20	40	4,05	12209114	95	24	45	5,90	12309114	100	24	56	7,45
150	459,2	454,82	12109150	90	21	45	4,05	12209150	100	24	50	5,90	12309150	125	24	60	9,00

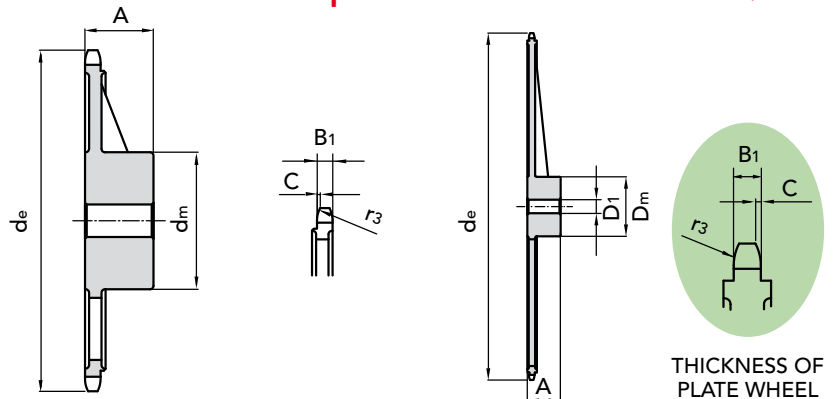
1/2" x 5/16"
CHAIN SPROCKETS

Tooth radius r_3	13	mm
Radius width C	1,3	mm
Sprockets tooth width B_1 (S)	7,2	mm
Sprockets tooth width b_1 (D-T)	7	mm
Sprockets tooth width B_2 (D)	21	mm
Sprockets tooth width B_3 (T)	34,9	mm

CHAIN

Pitch	12,7	mm
Inner width	7,75	mm
Roller \varnothing	8,51	mm

for roller chains in compliance with DIN 8187 ISO/R 606



SIMPLES								DOUBLE				TRIPLE					
Z	de	dp	PART NUMBER	dm	D1	A	kg.	PART NUMBER	dm	D1	A	kg.	PART NUMBER	dm	D1	A	kg.
38	158,6	153,8	12112038	70	20	40	1,56	12212038	90	24	50	3,15	12312038	100	24	60	4,45
45	188,0	182,0	12112045	70	20	40	1,95	12212045	90	24	50	3,56	12312045	100	24	60	5,85
57	236,4	230,54	12112057	70	20	40	2,46	12212057	90	24	50	4,00	12312057	100	24	60	6,28
76	313,3	307,33	12112076	80	24	40	4,20	12212076	100	24	56	6,35	12312076	100	24	60	8,60
95	390,1	384,11	12112095	80	24	45	5,45	12212095	100	24	56	8,00	12312095	120	24	67	11,9
114	466,9	460,9	12112114	80	24	45	8,35	12212114	100	24	63	11,9	12312114	120	24	67	15,0

We do not manufacture SPROCKETS in cast iron version ASA

SIMPLE CHAIN SPROCKETS WITH DOUBLE REINFORCE

 CAD drawings available on our site
www.chiaravalli.com

Quantity, availability and prices on B2B Chiaravalli





5/8" x 3/8"

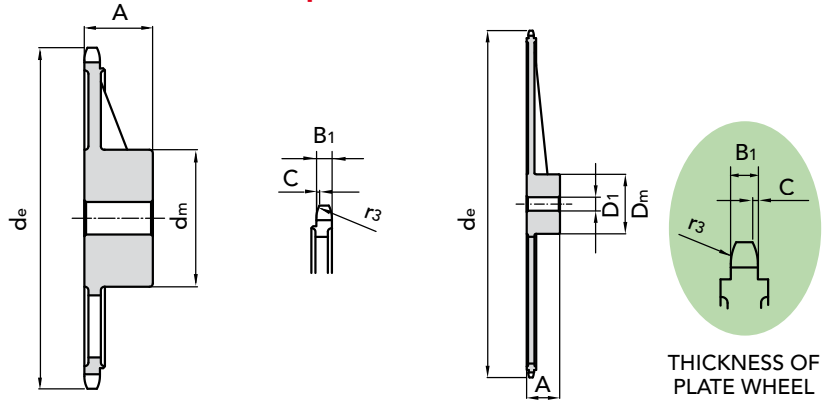
for roller chains in compliance with DIN 8187 ISO/R 606

CHAIN SPROCKETS

Tooth radius r_3	16	mm
Radius width C	1,6	mm
Sprockets tooth width B_1 (S)	9,1	mm
Sprockets tooth width b_1 (D-T)	9	mm
Sprockets tooth width B_2 (D)	25,5	mm
Sprockets tooth width B_3 (T)	42,1	mm

CHAIN

Pitch	15,875	mm
Inner width	9,65	mm
Roller \varnothing	10,16	mm



SIMPLES

DOUBLE

TRIPLE

Z	d _e	d _p	PART NUMBER	d _m	D ₁	A	kg.	PART NUMBER	d _m	D ₁	A	kg.	PART NUMBER	d _m	D ₁	A	kg.
38	199,2	192,24	12115038	80	20	40	2,32	12215038	100	30	50	4,56	12315038	100	32	60	6,50
45	235	227,58	12115045	80	20	40	2,88	12215045	100	30	50	4,93	12315045	100	32	60	7,04
57	296	288,18	12115057	90	24	45	4,30	12215057	100	30	56	6,50	12315057	100	32	63	8,00
76	392,1	384,16	12115076	90	24	50	7,00	12215076	100	30	63	9,10	12315076	110	35	67	12,0
95	488,5	480,14	12115095	100	24	56	10,65	12215095	110	30	63	12,6	12315095	125	35	70	19,4
114	584,1	576,13	12115114	100	24	56	14,50	12215114	125	30	70	17,8	12315114	125	35	80	24,0

3/4" x 7/16"

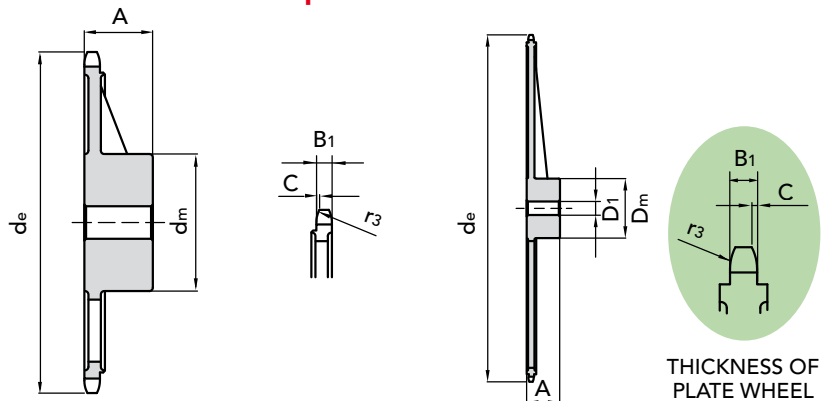
for roller chains in compliance with DIN 8187 ISO/R 606

CHAIN SPROCKETS

Tooth radius r_3	19	mm
Radius width C	2	mm
Sprockets tooth width B_1 (S)	11,1	mm
Sprockets tooth width b_1 (D-T)	10,8	mm
Sprockets tooth width B_2 (D)	30,3	mm
Sprockets tooth width B_3 (T)	49,8	mm

CHAIN

Pitch	19,05	mm
Inner width	11,68	mm
Roller \varnothing	12,07	mm



SIMPLES

DOUBLE

TRIPLE

Z	d _e	d _p	PART NUMBER	d _m	D ₁	A	kg.	PART NUMBER	d _m	D ₁	A	kg.	PART NUMBER	d _m	D ₁	A	kg.
38	239	230,69	12119038	100	24	56	4,75	12219038	110	24	63	7,50	12319038	140	31	70	10,00
45	282,5	273,1	12119045	100	24	56	5,90	12219045	110	24	63	8,30	12319045	140	31	70	13,30
57	354	345,81	12119057	100	30	56	6,45	12219057	120	30	63	10,3	12319057	140	39	70	15,25
76	469,9	460,99	12119076	100	30	56	12,30	12219076	135	30	63	15,2	12319076	160	39	75	27,20
95	585,1	576,17	12119095	100	30	56	15,40	12219095	135	30	70	21,2	12319095	170	39	82	36,40
114	700,6	691,36	12119114	100	30	56	24,80	12219114	135	30	70	30,4	12319114	170	49	82	41,10

We do not manufacture SPROCKETS in cast iron version ASA

SIMPLE CHAIN SPROCKETS WITH DOUBLE REINFORCE

CAD drawings available on our site www.chiaravalli.com

Quantity, availability and prices on B2B Chiaravalli



CHAIN SPROCKETS IN CAST IRON GG 20 UNI 5007 for roller chains in compliance with DIN 8187 ISO/R 606

CHAIN SPROCKETS IN CAST IRON GG 20 UNI 5007



CHAIN SPROCKETS IN CAST IRON GG 20 UNI 5007 for roller chains in compliance with DIN 8187 ISO/R 606

1" x 17.02 mm

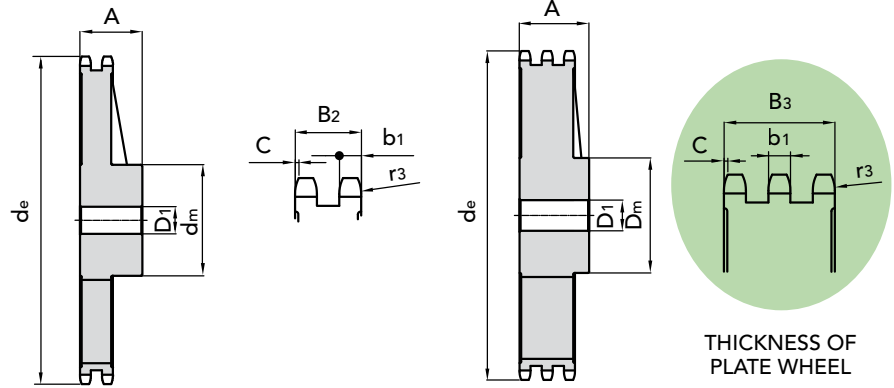
CHAIN SPROCKETS

Tooth radius r_3	26	mm
Radius width C	2,5	mm
Sprockets tooth width B_1	16,2	mm
Sprockets tooth width b_1	15,8	mm
Sprockets tooth width B_2	47,7	mm
Sprockets tooth width B_3	79,6	mm

CHAIN

Pitch	25,4	mm
Inner width	17,02	mm
Roller \varnothing	5,88	mm

for roller chains in compliance with DIN 8187 ISO/R 606



SIMPLES								DOUBLE				TRIPLE					
Z	de	dp	PART NUMBER	dm	D1	A	kg.	PART NUMBER	dm	D1	A	kg.	PART NUMBER	dm	D1	A	kg.
30	254	243	12125030	110	29	65	7,00	12225030	125	39	75	13,30	12325030	145	39	90	20,00
38	320	307,59	12125038	110	29	65	8,26	12225038	140	39	75	16,45	12325038	160	44	100	25,40
45	377	364,13	12125045	125	29	70	10,75	12225045	150	39	75	19,20	12325045	160	44	100	33,60
57	474	461,08	12125057	125	34	70	12,90	12225057	170	39	90	29,50	12325057	165	44	100	44,70
76	627	614,65	12125076	140	34	80	24,70	12225076	175	39	95	46,30	12325076	200	44	110	63,10
95	781	768,22	12125095	140	39	80	32,00	12225095	175	44	95	53,00	12325095	200	49	110	77,00
114	933	921,81	12125114	150	39	80	45,50	12225114	175	44	95	74,00	12325114	200	49	115	97,00

1" 1/4 x 3/4"

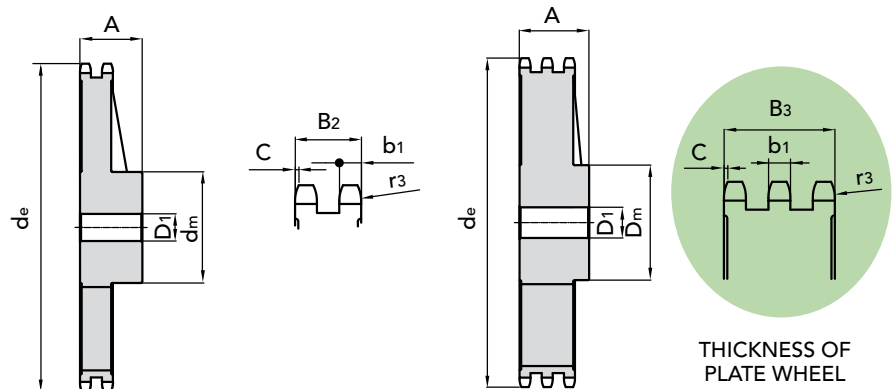
CHAIN SPROCKETS

Tooth radius r_3	32	mm
Radius width C	3,5	mm
Sprockets tooth width B_1	18,5	mm
Sprockets tooth width b_1	18,2	mm
Sprockets tooth width B_2	54,6	mm
Sprockets tooth width B_3	91	mm

CHAIN

Pitch	31,75	mm
Inner width	19,56	mm
Roller \varnothing	19,05	mm

for roller chains in compliance with DIN 8187 ISO/R 606



SIMPLES								DOUBLE				TRIPLE					
Z	de	dp	PART NUMBER	dm	D1	A	kg.	PART NUMBER	dm	D1	A	kg.	PART NUMBER	dm	D1	A	kg.
30	318,9	303,75	12131030	115	34	70	8,50	12231030	130	39	80	22,00					
38	399,6	384,49	12131038	125	34	70	12,30	12231038	140	44	90	24,80	12331038	170	55	110	52,00
45	470,3	455,17	12131045	125	34	70	18,00	12231045	140	44	90	32,00					
57	591,5	576,36	12131057	135	39	80	25,60	12231057	160	49	100	43,00	12331057	180	62	125	71,50
76	783,5	768,32	12131076	140	49	90	29,10	12231076	180	55	100	62,50					

We do not manufacture SPROCKETS in cast iron version ASA

SIMPLE CHAIN SPROCKETS WITH DOUBLE REINFORCE

CAD drawings available on our site www.chiaravalli.com

Quantity, availability and prices on B2B Chiaravalli





1" 1/2 x 1"

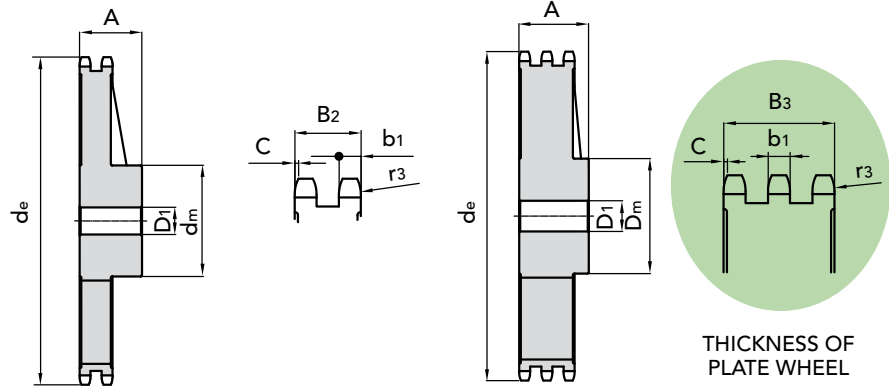
CHAIN SPROCKETS

Tooth radius r_3	38	mm
Radius width C	4	mm
Sprockets tooth width B_1	24,1	mm
Sprockets tooth width b_1	23,6	mm
Sprockets tooth width B_2	72	mm
Sprockets tooth width B_3	120,3	mm

CHAIN

Pitch	38,1	mm
Inner width	25,4	mm
Roller \varnothing	25,4	mm

for roller chains in compliance with DIN 8187 ISO/R 606



SIMPLES

DOUBLE

TRIPLE

Z	d_e	d_p	PART NUMBER	d_m	D_1	A	kg.	PART NUMBER	d_m	D_1	A	kg.	PART NUMBER	d_m	D_1	A	kg.	
30	379,5	364,5	12138030	130	39	85	18,50											
38	476,2	461,39	12138038	140	44	90	21,80	12238038	180	44	100	42,20	12338038	200	62	150	42,50	
45	561,2	546,2	12138045	140	44	90	30,00											
57	706,5	691,63	12138057	160	44	100	46,20	12238057	200	54	110	72,70	12338057	200	62	150	119,40	
76	936,9	921,98	12138076	170	44	100	63,60	12238076	220	54	120	125,00	12338076	250	69	150	150,00	

We do not manufacture SPROCKETS in cast iron version ASA

CAD drawings available on our site www.chiaravalli.com

Quantity, availability and prices on B2B Chiaravalli



CHAIN SPROCKETS IN CAST IRON GG 20 UNI 5007 for roller chains in compliance with DIN 8187 ISO/R 606