



High Performance from Rexnord

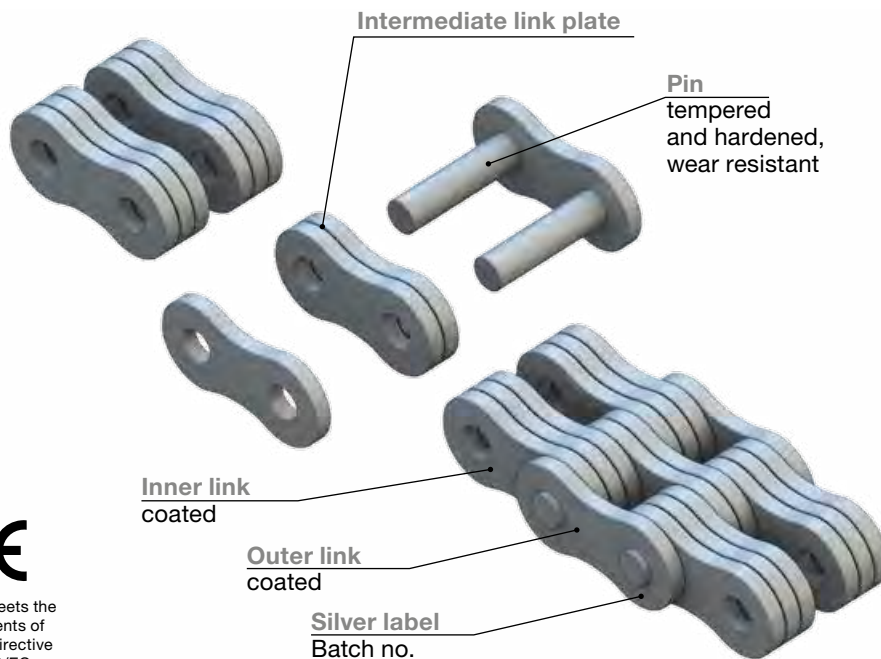
Leaf chains | F Series | European type

RexPro
RexPro lubrication
improved wear resistance
high fatigue resistance



Leaf chains - European type

High performance from Rexnord.



Rexnord meets the
requirements of
Machine Directive
2006/42/EC

APPLICATIONS

- Forklift trucks, telehandlers
- Material handling
- Machine tools

CHARACTERISTICS

- Improved protection against chain joint stiffness
- Improved wear resistance
- Excellent corrosion resistance
- Very eco-friendly
- Made from high-quality materials
- Ball-drifted plate holes
- "Silver label" batch number for better traceability
- Shot-peened pins and link plates
- NSF H2 certification, RoHS:2005 conformity

ADVANTAGES

- Minimal running-in elongation
- Long service lifespan
- Extremely shock resistant
- Very robust, even in difficult conditions
- Maximum operating reliability
- Improved cost-effectiveness

LUBRICATION

- RexPro lubricants without heavy metals for outstanding protection
- Operating temperature: -30° C to +130° C (can be extended to -40° C to +250° C)
- Very good surface adhesion; drip-resistant even at high temperatures
- No heavy metals, Teflon- and silicone-free

RexPro - Leaf chains - High performance from Rexnord



Excellent Corrosion Protection

- 8-10 times better than the best competitors
- More than 100% better in the buckling test
- Highly versatile, also suitable for aggressive environments



Improved Wear Resistance

- 8-12% improvement in comparison to predecessor
- Great protection through RexPro lubrication
- Long working life
- High operating reliability



High Fatigue Resistance

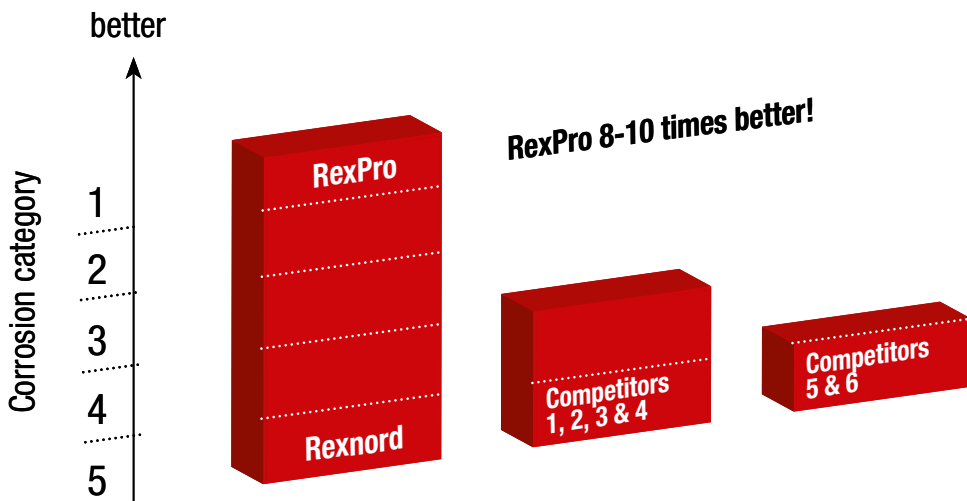
- Ball-drifted plate holes
- Shot-peened chain links, seam-free rollers
- High pre-loading



Eco friendly

- Through RexPro lubrication
- No heavy metals; Teflon- and silicone-free
- Environmental management system conforms to DIN EN ISO 14001

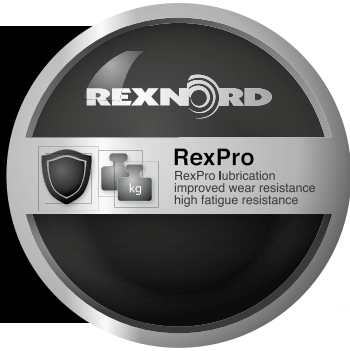
Salt spray test in accordance with DIN EN ISO 9227



Rexnord meets the requirements of Machine Directive 2006/42/EC

Leaf chains F Series - European type

High performance from Rexnord.



Rexnord meets the requirements of
Machine Directive 2006/42/EC



Excellent Corrosion Protection

- 8-10 times better than the best competitors
- More than 100% better in the buckling test
- Highly versatile, also suitable for aggressive environments



Improved Wear Resistance

- 8-12% improvement in comparison to predecessor
- Great protection through RexPro lubrication
- Long working life
- High operating reliability



High Fatigue Resistance

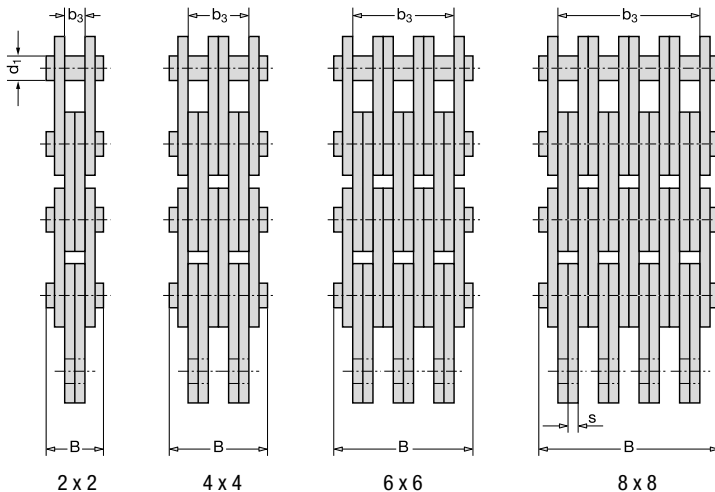
- Ball-drifted plate holes
- Shot-peened chain links, seam-free rollers
- High pre-loading

Table 1 of 2

Leaf chains in accordance with DIN ISO 4347 / DIN 8152

Chain no.	Chain designation	Pitch p		Link plate combination	Pin Ø	Link plate height	Link plate thickness	Length over 100 pitches	Overall width	Bearing area	Clear width outer link	Required min. breaking strength ISO	Rexnord min. breaking strength	Fatigue resistance	Weight								
		Zoll	mm																				
		ISO/DIN														d ₁ max.	g	s	■	B max.	A	b ₃ min.	F _B
		mm	mm	mm	mm	mm	mm	mm	cm ²	mm	N	N	N	kg/m									
F 12 - 44	LL 0844	0.50	12.7	4 x 4	4.45	10.4	1.5	1277	15.0	0.27	9.1	36 000	40 000	5 000	0.83								
F 12 - 66	LL 0866			6 x 6												6 x 6	21.3	0.40	15.2	54 000	60 000	7 000	1.25
F 15 - 44	LL 1044	0.625	15.875	4 x 4	5.08	12.8	1.5	1596	15.2	0.30	9.6	44 000	48 000	6 800	0.92								
F 15 - 66	LL 1066			6 x 6												6 x 6	21.7	0.46	16.0	66 000	72 000	8 800	1.4
F 19 - 44	LL 1244	0.75	19.05	4 x 4	5.72	15.9	1.8	1894	18.0	0.41	11.4	58 000	64 000	9 500	1.4								
F 19 - 66	LL 1266			6 x 6												6 x 6	25.7	0.62	19.0	87 000	96 000	12 000	2.1
F 25 - 44	LL 1644	1.00	25.4	4 x 4	8.28	20.5	3.0	2540	28.4	0.99	18.6	120 000	140 000	25 000	2.9								
F 25 - 66	LL 1666			6 x 6												6 x 6	40.7	1.49	31.0	180 000	210 000	30 000	4.3
F 25 - 88	LL 1688			8 x 8												8 x 8	53.0	1.98	43.4	240 000	280 000	5.8	
F 31 - 44	LL 2044	1.25	31.75	4 x 4	10.19	25.7	3.5	3160	33.7	1.42	21.6	190 000	200 000	32 400	4.3								
F 31 - 66	LL 2066			6 x 6												6 x 6	48.4	2.12	36.0	285 000	300 000	37 500	6.4
F 31 - 88	LL 2088			8 x 8												8 x 8	63.2	2.83	50.4	380 000	400 000	8.4	
F 38 - 44	LL 2444	1.50	38.1	4 x 4	14.63	33.0	5.0	3795	46.9	2.91	31.2	340 000	350 000	8.2									
F 38 - 66	LL 2466			6 x 6											6 x 6	68.3	4.37	52.4	510 000	525 000	12.2		
F 38 - 88	LL 2488			8 x 8											8 x 8	89.7	5.82	73.5	640 000	700 000	16.2		

see Table 2
on following page
for more values



Leaf chains F Series - European type

High performance from Rexnord.



Excellent Corrosion Protection

- 8-10 times better than the best competitors
- More than 100% better in the buckling test
- Highly versatile, also suitable for aggressive environments



Improved Wear Resistance

- 8-12% improvement in comparison to predecessor
- Great protection through RexPro lubrication
- Long working life
- High operating reliability



High Fatigue Resistance

- Ball-drifted plate holes
- Shot-peened chain links, seam-free rollers
- High pre-loading



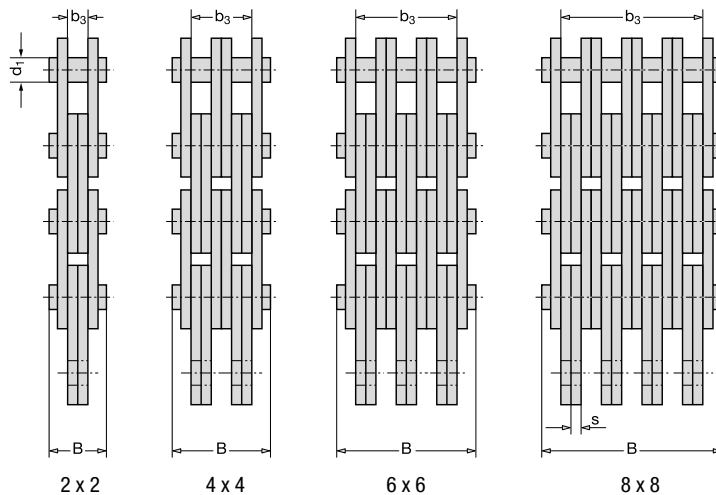
Rexnord meets the requirements of Machine Directive 2006/42/EC

Table 2 of 2

Leaf chains in accordance with DIN ISO 4347 / DIN 8152

Chain no.	Chain designation	Pitch p		Link plate combination	Pin Ø	Link plate height	Link plate thickness	Length over 100 pitches	Overall width	Bearing area	Clear width outer link	Required min. breaking strength ISO	Rexnord min. breaking strength	Fatigue resistance	Weight					
		Zoll	mm																	
		d ₁ max.	g													s	■	B max.	A	b ₃ min.
ISO/DIN	mm	mm	mm	mm	mm	mm	mm	mm	cm ²	mm	N	N	kN	kg/m						
F 44 – 22	LL 2822	1.75	44.45	2 x 2	15.9	36.0	6.0	4426	29.4	1.90	12.3*	200 000	42 000		5.2					
F 44 – 44	LL 2844			4 x 4												54.7	3.80	36.8*	400 000	63 000
F 44 – 66	LL 2866			6 x 6												80.2	5.70	61.4*	600 000	84 000
F 44 – 88	LL 2888			8 x 8												105.4	7.60	86.5	800 000	108 000
F 50 – 22	LL 3222	2.00	50.8	2 x 2	17.81	41.2	6.3	5048	32.5	2.24	12.9	260 000	54 000		6.5					
F 50 – 44	LL 3244			4 x 4												59.1	4.47	39.1	520 000	81 000
F 50 – 66	LL 3266			6 x 6												85.4	6.71	65.6	720 000	108 000
F 50 – 88	LL 3288			8 x 8												112.0	8.94	92.0	1 000 000	120 000
F 63 – 22	LL 4022	2.50	63.5	2 x 2	22.89	48.0	8.0	6320	39.5	3.65	16.3	360 000	75 000		9.2					
F 63 – 44	LL 4044			4 x 4												73.1	7.30	49.4	720 000	112 500
F 63 – 66	LL 4066			6 x 6												106.5	10.94	82.7	1 065 000	150 000
F 63 – 88	LL 4088			8 x 8												139.9	14.60	116.0	1 420 000	180 000
F 76 – 22	LL 4822	3.00	76.2	2 x 2	29.24	62.0	10.0	7575	49.7	5.83	20.3	560 000	120 000		15.4					
F 76 – 44	LL 4844			4 x 4												91.2	11.66	61.4	1 120 000	180 000
F 76 – 66	LL 4866			6 x 6												131.0	17.50	102.7	1 680 000	240 000
F 76 – 88	LL 4888			8 x 8												172.8	23.30	144.0	2 240 000	240 000

* Please contact Rexnord regarding precision of fit with ISO anchors

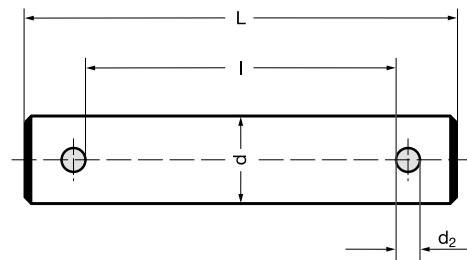
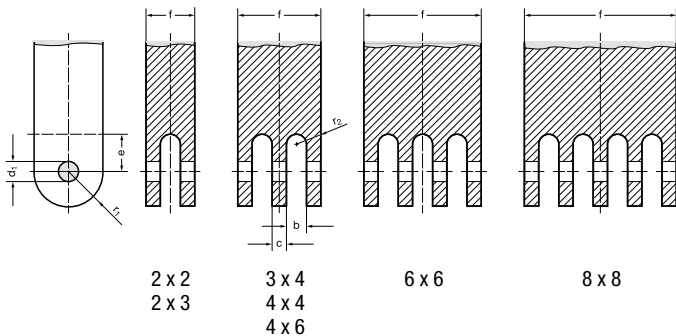


Recommended chain anchor dimensions for connecting leaf chain inner links

Chain no.	Inner link connector dimensions Dimensions in mm						
	f	b	c	d ₁	e	r ₁	r ₂
	max.	min.	max.	D 10	min.	max.	max.
F 12-44	15.9	3.5	3.0	4.5	7.3	6.5	1.7
F 12-66	22.9						
F 15-44	14.9	3.5	3.0	5.1	8.5	8.0	1.7
F 15-66	21.9						
F 19-44	17.5	4.1	3.6	5.75	10.0	9.5	1.7
F 19-66	24.6						
F 25-44	27.9	6.7	6.2	8.3	13.5	13.0	3.0
F 25-66	40.9						
F 25-88	53.9	7.5	7.0	10.2	17.0	16.5	3.5
F 31-44	32.9						
F 31-68	46.9	7.5	7.0	10.2	17.0	16.5	3.5
F 31-88	61.9						
F 38-44	48.0	11.0	10.0	14.7	22.0	20.0	5.0
F 38-66	69.0						
F 38-88	90.9	13.0	12.0	16.0	25.0	24.0	6.0
F 44-22	29.5						
F 44-44	54.8	13.0	12.0	16.0	25.0	24.0	6.0
F 44-66	80.0						
F 44-88	105.8	13.6	12.6	17.9	28.0	27.0	6.0
F 50-22	34.2						
F 50-44	59.7	13.6	12.6	17.9	28.0	27.0	6.0
F 50-66	86.2						
F 50-88	113.7	17.0	16.0	23.0	35.0	35.0	8.0
F 63-22	39.6						
F 63-44	73.0	17.0	16.0	23.0	35.0	35.0	8.0
F 63-66	106.3						
F 63-88	139.8	21.0	20.0	29.3	45.0	40.0	10.0
F 76-22	50.2						
F 76-44	91.2	21.0	20.0	29.3	45.0	40.0	10.0
F 76-66	133.2						
F 76-88	173.9						

Connecting pin for attaching leaf chains to chain anchor

Chain no.	Connecting pin order no.	Connecting pin dimensions Dimensions in mm			
		l min.	L max.	d max.	d ₂
		F 12-44	709-204-44	16.0	22.2
F 12-66	709-204-66	23.0	29.2	5.08	1.6
F 15-44	709-205-44	15.0	21.1	5.08	1.6
F 15-66	709-205-66	22.0	28.2	5.72	2.0
F 19-44	709-405-44	17.6	25.5	5.72	2.0
F 19-66	709-405-66	24.7	32.7	8.28	3.2
F 25-44	709-208-44	28.0	38.7	8.28	3.2
F 25-66	709-208-66	41.0	51.7	10.19	3.2
F 25-88	709-208-88	54.0	64.7	10.19	3.2
F 31-44	709-210-44	33.0	43.7	14.63	4.0
F 31-68	709-210-66	47.0	57.7	14.63	4.0
F 31-88	709-210-88	62.0	72.7	15.9	4.0
F 38-44	709-214-44	48.2	60.6	15.9	4.0
F 38-66	709-214-66	69.2	81.6	17.81	5.0
F 38-88	709-214-88	90.2	102.6	17.81	5.0
F 44-22	709-215-22	29.7	42.1	22.89	6.3
F 44-44	709-215-44	55.0	67.5	22.89	6.3
F 44-66	709-215-66	80.2	92.7	29.23	6.3
F 44-88	709-215-88	106.0	118.5	29.23	6.3
F 50-22	709-217-22	34.4	51.9	29.23	6.3
F 50-44	709-217-44	59.9	77.5	29.23	6.3
F 50-66	709-217-66	86.4	104.0	29.23	6.3
F 50-88	709-217-88	113.9	131.5	29.23	6.3
F 63-22	709-222-22	39.9	60.8	29.23	6.3
F 63-44	709-222-44	73.3	94.3	29.23	6.3
F 63-66	709-222-66	106.6	127.6	29.23	6.3
F 63-88	709-222-88	140.1	161.1	29.23	6.3
F 76-44	709-229-44	91.5	112.5	29.23	6.3
F 76-66	709-229-66	133.5	154.5	29.23	6.3
F 76-88	709-229-88	174.2	195.2	29.23	6.3



All pins are fitted with 2 cotters and – from BL 1234 and F 38 upwards – with 2 additional washers.

Leaf chain anchoring

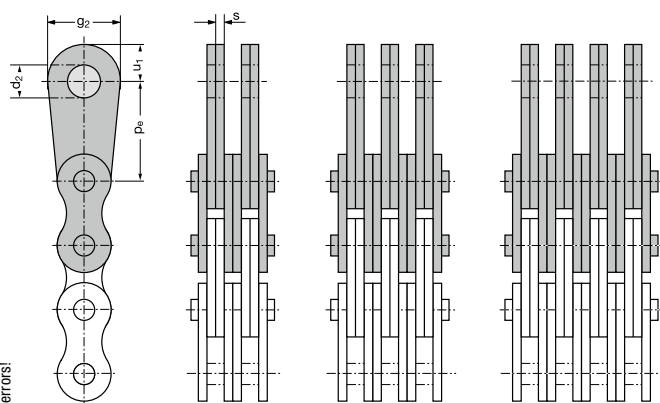
Chain no.	End link order no.		Dimensions in mm				
	IEG	AEG	Pe	d ₂ A11	g ₂	s	u ₁
F 15 - 44	170 - 115 - 44	45	20	8	18.0	1.5	11.0
F 15 - 66	170 - 115 - 66	65					
F 19 - 44	170 - 119 - 44		25	10	19.8	1.8	11.2
F 19 - 66	170 - 119 - 66						
F 25 - 44	170 - 124 - 44	45	30	12	25.0	3.0	15.0
F 25 - 66	170 - 124 - 66	65					
F 25 - 88	170 - 124 - 88	85					
F 31 - 44	170 - 131 - 44	45	50	18	40.0	3.5	25.0
F 31 - 66	170 - 131 - 66	65					
F 31 - 88	170 - 131 - 88	85					
F 38 - 44	170 - 138 - 44	45	65	24	50.0	5.0	29.0
F 38 - 66	170 - 138 - 66	65					
F 38 - 88	170 - 138 - 88	85					
F 44 - 22	170 - 144 - 22	25	80	28	60.0	6.0	32.0
F 44 - 44	170 - 144 - 44	45					
F 44 - 66	170 - 144 - 66	65					
F 50 - 22	170 - 150 - 22	25	90	32	70.0	6.3	43.0
F 50 - 88	170 - 150 - 88	85					
F 63 - 44	170 - 163 - 44	45	100	38	80.0	8.0	46.5
F 63 - 66	170 - 163 - 66	65					

End links are available as inner and outer links. Ordering example for end links to fit leaf chain F 38-44:

a) as IEG (inner end link): 170-138-44

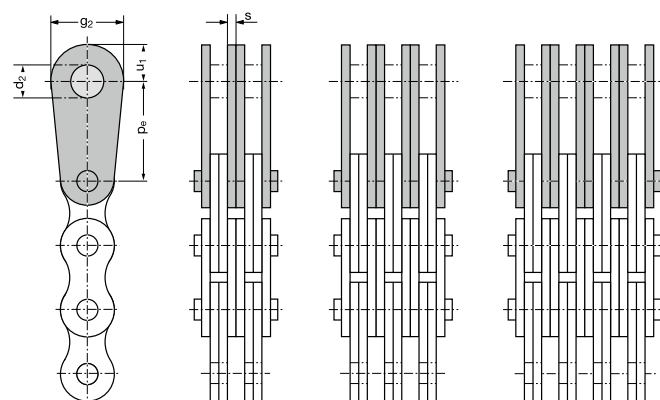
b) as AEG (outer end link): 170-138-45

End links as inner links (IEG)



Scope of delivery:
End links (pear-shaped) along with leaf chain
outer link supplied as a complete
ready-to-rivet sub-assembly.

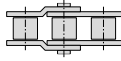
End links as outer links (AEG)



Scope of delivery:
End links (pear-shaped) and matching
ready-to-rivet pin.

Overview Rexnord roller chains

Roller Chains



REXNORD

RexPro
RexPro lubrication
improved wear resistance
high fatigue resistance

- Outstanding protection against corrosion and wear
- Unique protection against chain joint stiffness
- Extremely eco-friendly

REXNORD

RexAthletic
good loading capacity
extended lubrication intervals

- Durable and low-maintenance
- Longer servicing intervals
- High loading capacity

REXNORD

RexCarbon
no lubrication
low noise

- Maintenance-free
- Low noise
- Eco-friendly

REXNORD

RexPlus
excellent corrosion resistance
high reliability

- Excellent resistance to rust and acids
- Highly reliable
- Fulfills hygiene requirements
- NSF H1 certification

REXNORD

RexPlusCarbon
no lubrication
excellent corrosion resistance

- Combination of RexPlus and RexCarbon
- Excellent resistance to rust and acids
- Maintenance-free
- NSF H1 certification

REXNORD

RexHiPro
good corrosion resistance
excellent loading capacity

- Outstanding corrosion resistance
- Long service life
- High loading capacity

Link-Belt
a brand of
REXNORD

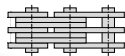
- The optimum choice for light and medium duty
- Good cost-benefit ratio
- High availability

REXNORD

RexProX
RexPro lubrication
improved wear resistance
high fatigue resistance

- Extremely high loading capacity
- Long service life
- Outstanding protection against corrosion and wear

Flyer Chains



REXNORD

RexPro
RexPro lubrication
improved wear resistance
high fatigue resistance

- Outstanding protection against corrosion and wear
- Unique protection against chain joint stiffness
- Extremely eco-friendly

REXNORD

RexHiPro
good corrosion resistance
excellent loading capacity

- Outstanding corrosion resistance
- Long service life
- High loading capacity

REXNORD

RexDura
improved wear resistance
lubrication stay in chain hinge

- Durable and low-maintenance
- Longer servicing intervals
- High loading capacity
- Extreme wear resistance for double-length service life

REXDL
a brand of
REXNORD

- The optimum choice for light and medium duty
- Good cost-benefit ratio
- Good availability



High Performance from Rexnord

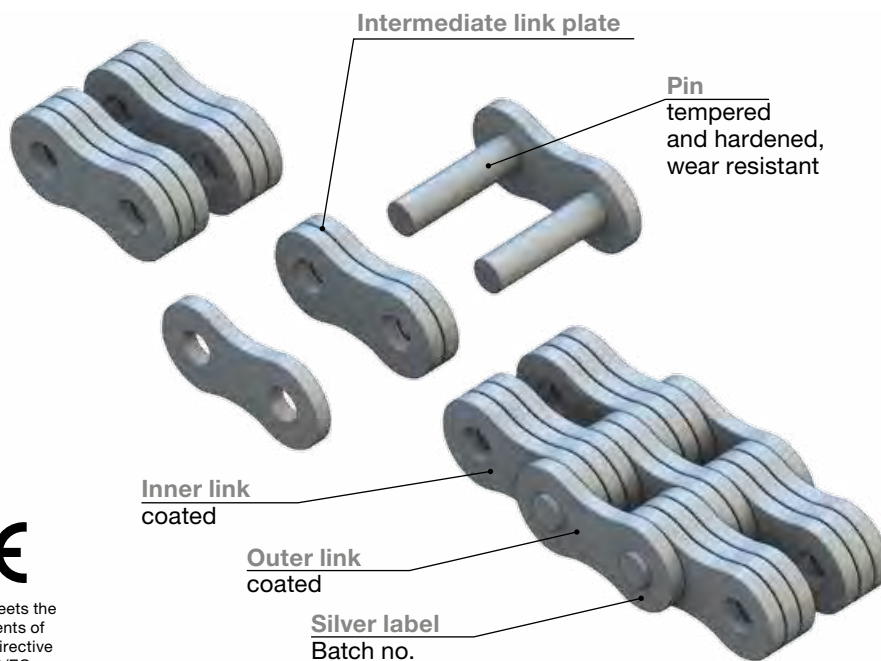
Leaf chains | Works standard

RexPro
RexPro lubrication
improved wear resistance
high fatigue resistance



Leaf chains - Works standard

High performance from Rexnord.



Rexnord meets the requirements of Machine Directive 2006/42/EC



APPLICATIONS

- Forklift trucks, telehandlers
- Material handling
- Machine tools

CHARACTERISTICS

- Improved protection against chain joint stiffness
- Improved wear resistance
- Excellent corrosion resistance
- Very eco-friendly
- Made from high-quality materials
- Ball-drifted plate holes
- "Silver label" batch number for better traceability
- Shot-peened pins and link plates
- NSF H2 certification, RoHS:2005 conformity

ADVANTAGES

- Minimal running-in elongation
- Long service lifespan
- Extremely shock resistant
- Very robust, even in difficult conditions
- Maximum operating reliability
- Improved cost-effectiveness

LUBRICATION

- RexPro lubricants without heavy metals for outstanding protection
- Operating temperature: -30° C to +130° C (can be extended to -40° C to +250° C)
- Very good surface adhesion; drip-resistant even at high temperatures
- No heavy metals, Teflon- and silicone-free

RexPro - Leaf chains - High performance from Rexnord



Excellent Corrosion Protection

- 8-10 times better than the best competitors
- More than 100% better in the buckling test
- Highly versatile, also suitable for aggressive environments



Improved Wear Resistance

- 8-12% improvement in comparison to predecessor
- Great protection through RexPro lubrication
- Long working life
- High operating reliability



High Fatigue Resistance

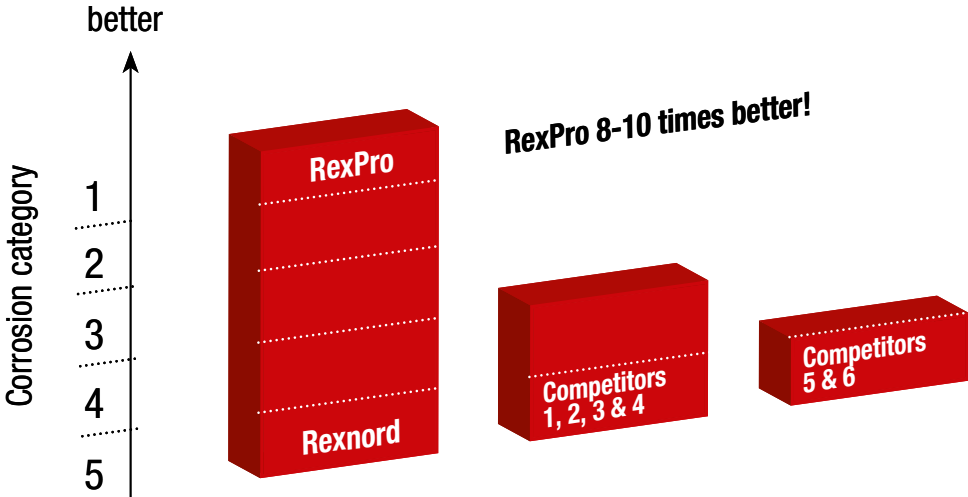
- Ball-drifted plate holes
- Shot-peened chain links, seam-free rollers
- High pre-loading



Eco friendly

- Through RexPro lubrication
- No heavy metals; Teflon- and silicone-free
- Environmental management system conforms to DIN EN ISO 14001

Salt spray test in accordance with DIN EN ISO 9227



Rexnord meets the requirements of Machine Directive 2006/42/EC

Leaf chains - Works standard

High performance from Rexnord.



Rexnord meets the requirements of Machine Directive 2006/42/EC



Excellent Corrosion Protection

- 8-10 times better than the best competitors
- More than 100% better in the buckling test
- Highly versatile, also suitable for aggressive environments



Improved Wear Resistance

- 8-12% improvement in comparison to predecessor
- Great protection through RexPro lubrication
- Long working life
- High operating reliability



High Fatigue resistance

- Ball-drifted plate holes
- Shot-peened chain links, seam-free rollers
- High pre-loading

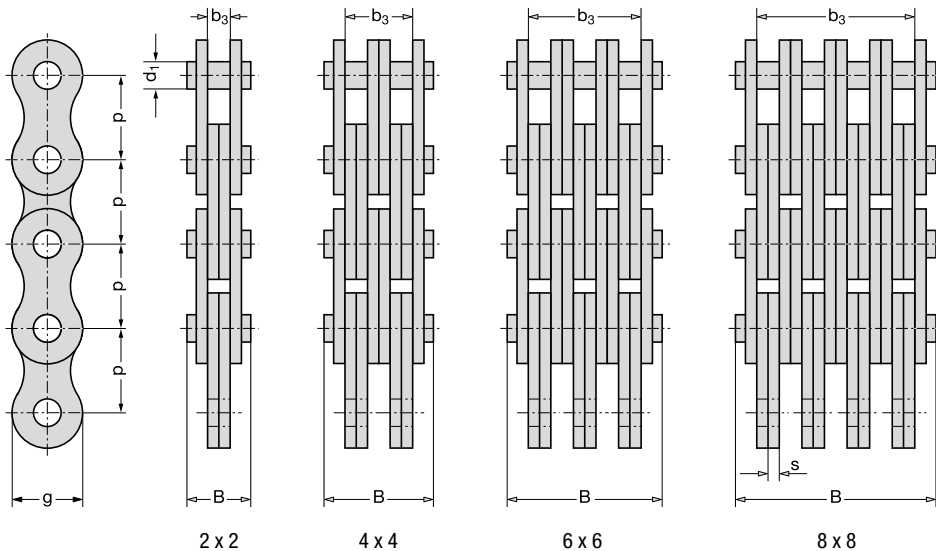


Eco friendly

- Through RexPro lubrication
- No heavy metals; Teflon- and silicone-free
- Environmental management system conforms to DIN EN ISO 14001

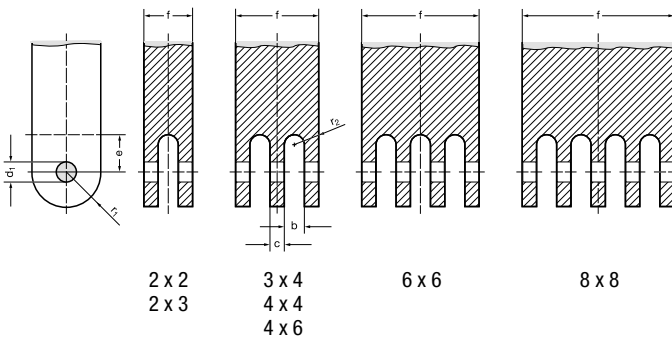
Leaf chains - Works standard

Chain no.	Chain designation	Pitch p		Link plate combination	Pin Ø	Link plate height	Link plate thickness	Length over 100 pitches	Overall width	Bearing area	Rexnord min. breaking strength	Weight
		inch/Zoll	mm									
		ISO/DIN	mm									
F 6 H - 5	-	0.625	15.875	2 x 3	4.75	14.6	2.5	1592	14.9	0.24	30 300	1
F 19 V - 44	-	0.75	19.05	4 x 4	6.5	15.2	2.35	1901	22.8	0.61	80 000	1.75
F 19 V - 66	-	0.75	19.05	6 x 6	6.5	15.2	2.35	1901	32.7	0.91	120 000	2.5
834 (SK 507)	-	1	25.4	3 x 4	10.85	23.4	IL /AL	2544	28.4	1.37	125 000	3.6
432 (SK 508)	-	1	25.4	6 x 6	10.85	23.4	3.05/4.0	2544	44.4	2.06	250 000	5.9



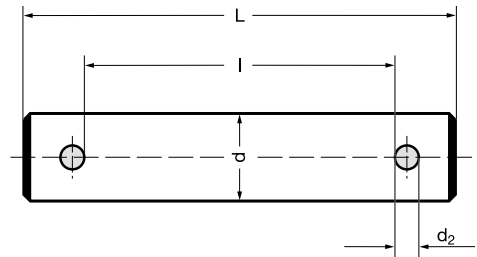
Recommended chain anchor dimensions for connecting leaf chain inner links

Chain no.	Inner link connector dimensions						
	f	b	c	d ₁	e	r ₁	r ₂
	max.	min.	max.	D 10	min.	max.	max.
F 19 V - 44	22.9	5.2	4.7	6.6	10.0	10.5	2.0
F 19 V - 66	32.9	5.2	4.7	6.6	10.0	10.5	2.0



Connecting pin for attaching leaf chains to chain anchor

Chain no.	Connecting pin order no.	Connecting pin dimensions Dimensions in mm			
		l min.	L max.	d max.	d ₂
F 19 V - 44	709 - 206 - 44	23.0	30.2	6.5	2.0
F 19 V - 66	709 - 206 - 66	33.0	40.3	6.5	2.0



All pins are fitted with 2 cotters and – from BL 1234 and F 38 upwards – with 2 additional washers.

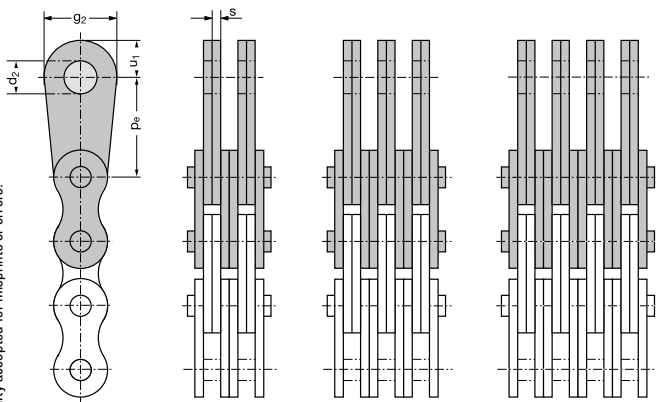
Leaf chain anchoring

Chain no.	End link order no.		Dimensions in mm				
	IEG	AEG	Pe	d ₂ A11	g ₂	s	u ₁
F 19 V - 44	170 - 120 - 44	45	25	10	19.8	1.8	11.2
F 19 V - 66	170 - 120 - 66	65	25	10	19.8	1.8	11.2

End links are available as inner and outer links. Ordering example for end links to fit leaf chain F 19 V - 44:

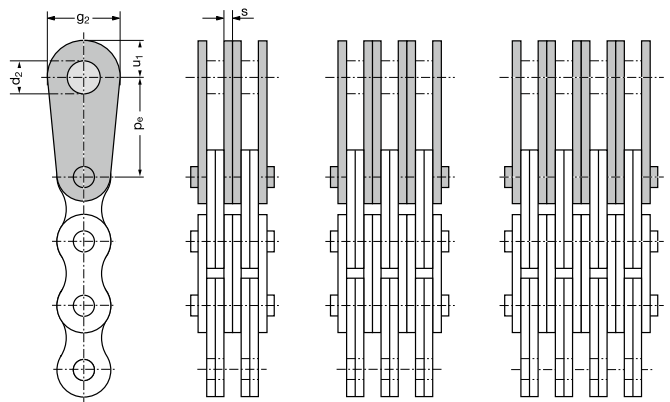
- a) as IEG (inner end link): 170-120-44 b) as AEG (outer end link): 170-120-45

End links as inner links (IEG)



Scope of delivery:
End links (pear-shaped) along with leaf chain
outer link supplied as a complete ready-to-riquet sub-assembly.

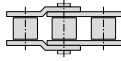
End links as outer links (AEG)



Scope of delivery:
End links (pear-shaped) and matching ready-to-riquet pin.

Overview Rexnord roller chains

Roller Chains



REXNORD

RexPro
RexPro lubrication
improved wear resistance
high fatigue resistance

- Outstanding protection against corrosion and wear
- Unique protection against chain joint stiffness
- Extremely eco-friendly

REXNORD

RexAthletic
good loading capacity
extended lubrication intervals

- Durable and low-maintenance
- Longer servicing intervals
- High loading capacity

REXNORD

RexCarbon
no lubrication
low noise

- Maintenance-free
- Low noise
- Eco-friendly

REXNORD

RexPlus
excellent corrosion resistance
high reliability

- Excellent resistance to rust and acids
- Highly reliable
- Fulfills hygiene requirements
- NSF H1 certification

REXNORD

RexPlusCarbon
no lubrication
excellent corrosion resistance

- Combination of RexPlus and RexCarbon
- Excellent resistance to rust and acids
- Maintenance-free
- NSF H1 certification

REXNORD

RexHiPro
good corrosion resistance
excellent loading capacity

- Outstanding corrosion resistance
- Long service life
- High loading capacity

Link-Belt
a brand of REXNORD

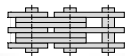
- The optimum choice for light and medium duty
- Good cost-benefit ratio
- High availability

REXNORD

RexProX
RexPro lubrication
improved wear resistance
high fatigue resistance

- Extremely high loading capacity
- Long service life
- Outstanding protection against corrosion and wear

Flyer Chains



REXNORD

RexPro
RexPro lubrication
improved wear resistance
high fatigue resistance

- Outstanding protection against corrosion and wear
- Unique protection against chain joint stiffness
- Extremely eco-friendly

REXNORD

RexHiPro
good corrosion resistance
excellent loading capacity

- Outstanding corrosion resistance
- Long service life
- High loading capacity

REXNORD

RexDura
improved wear resistance
lubrication stay in chain hinge

- Durable and low-maintenance
- Longer servicing intervals
- High loading capacity
- Extreme wear resistance for double-length service life

REXDL
a brand of REXNORD

- The optimum choice for light and medium duty
- Good cost-benefit ratio
- Good availability



High Performance from Rexnord

Leaf chains AL Series | American type

REXNORD

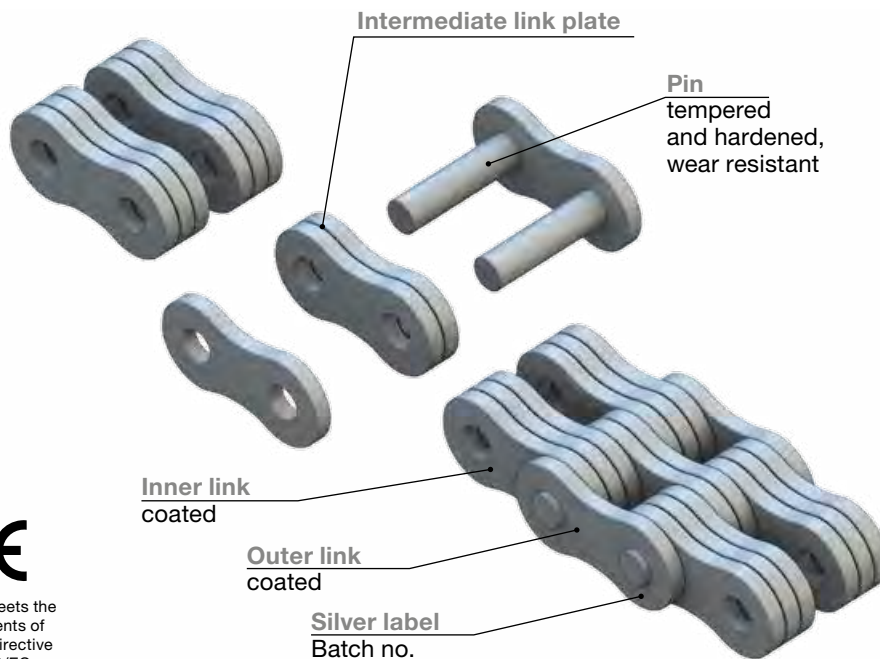
RexPro
RexPro lubrication
improved wear resistance
high fatigue resistance

kg



Leaf chains AL-Series - American type

High performance from Rexnord.



Rexnord meets the requirements of Machine Directive 2006/42/EC

APPLICATIONS

- Forklift trucks, telehandlers
- Material handling
- Machine tools

CHARACTERISTICS

- Improved protection against chain joint stiffness
- Improved wear resistance
- Excellent corrosion resistance
- Very eco-friendly
- Made from high-quality materials
- Ball-drifted plate holes
- "Silver label" batch number for better traceability
- Shot-peened pins and link plates
- NSF H2 certification, RoHS:2005 conformity

ADVANTAGES

- Minimal running-in elongation
- Long service lifespan
- Extremely shock resistant
- Very robust, even in difficult conditions
- Maximum operating reliability
- Improved cost-effectiveness

LUBRICATION

- RexPro lubricants without heavy metals for outstanding protection
- Operating temperature: -30° C to +130° C (can be extended to -40° C to +250° C)
- Very good surface adhesion; drip-resistant even at high temperatures
- No heavy metals, Teflon- and silicone-free

RexPro - Leaf chains - High performance from Rexnord



Excellent Corrosion Protection

- 8-10 times better than the best competitors
- More than 100% better in the buckling test
- Highly versatile, also suitable for aggressive environments



Improved Wear Resistance

- 8-12% improvement in comparison to predecessor
- Great protection through RexPro lubrication
- Long working life
- High operating reliability



High Fatigue Resistance

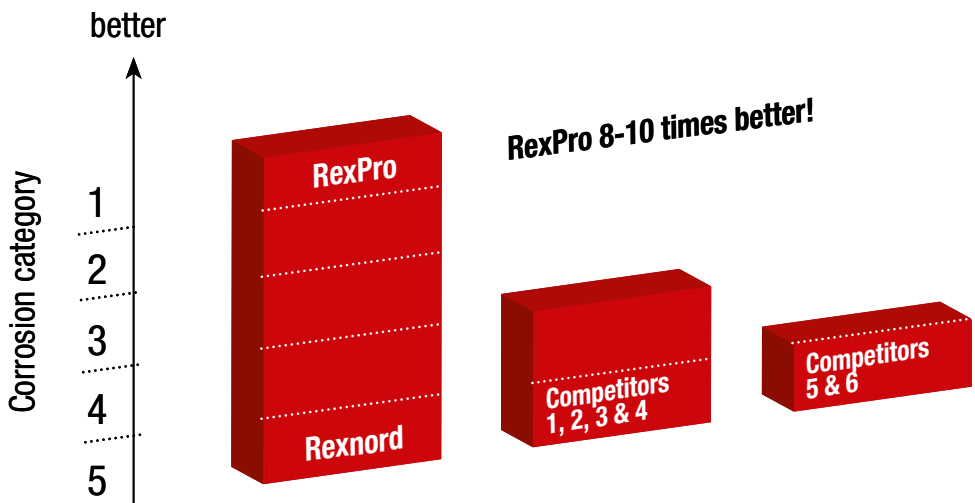
- Ball-drifted plate holes
- Shot-peened chain links, seam-free rollers
- High pre-loading



Eco friendly

- Through RexPro lubrication
- No heavy metals; Teflon- and silicone-free
- Environmental management system conforms to DIN EN ISO 14001

Salt spray test in accordance with DIN EN ISO 9227



Rexnord meets the requirements of Machine Directive 2006/42/EC

Leaf chains AL Series - American type, light series

High performance from Rexnord.



Rexnord meets the requirements of Machine Directive 2006/42/EC



Excellent Corrosion Protection

- 8-10 times better than the best competitors
- More than 100% better in the buckling test
- Highly versatile, also suitable for aggressive environments



Improved Wear Resistance

- 8-12% improvement in comparison to predecessor
- Great protection through RexPro lubrication
- Long working life
- High operating reliability



High Fatigue Resistance

- Ball-drifted plate holes
- Shot-peened chain links, seam-free rollers
- High pre-loading



Eco friendly

- Through RexPro lubrication
- No heavy metals; Teflon- and silicone-free
- Environmental management system conforms to DIN EN ISO 14001

AL Series leaf chains, American type, light series

Chain no.	Chain designation	Pitch p		Link plate combination	Pin \varnothing		Link plate height	Link plate thickness	Length over 100 pitches	Overall width	Bearing area	Clear width outer link	Required min. breaking strength ISO	Rexnord min. breaking strength	Fatigue resistance	Weight	
		ISO/DIN	Zoll		mm	d ₁ max.											g
		mm	mm		mm	mm											mm
AL 422	-			2 x 2						8.4	0.12	3.2	14 100	14 100	4 000	0.35	
AL 444	-	0.50	12.7	4 x 4	3.96	10.2	1.5	1257		14.8	0.23	9.6	28 200	28 200	6 000	0.67	
AL 466	-			6 x 6						21.2	0.35	16.0	42 300	42 300	7 500	1.0	
AL 522	-			2 x 2						10.8	0.2	4.2	22 000	25 000	6 000	0.6	
AL 544	-	0.625	15.875	4 x 4	5.08	12.8	2.0	1572		19.2	0.4	12.6	44 000	50 000	9 000	1.2	
AL 566	-			6 x 6						27.6	0.6	21.0	66 000	75 000	11 500	1.8	
AL 622	-			2 x 2						27.5	0.28	5.0	31 800	36 000	8 200	0.9	
AL 644	-	0.75	19.05	4 x 4	5.94	14.8	2.4	1909		23.0	0.57	15.0	63 600	72 000	12 300	1.7	
AL 666	-			6 x 6						33.1	0.85	25.0	95 400	108 000	15 500	2.5	
AL 688	-			8 x 8						43.2	1.14	35.0	127 200	144 000		3.3	
AL 822	-			2 x 2						16.6	0.51	6.3	56 700	60 000	12 000	1.5	
AL 844	-	1.00	25.4	4 x 4	7.92	20.5	3.1	2540		29.5	1.01	19.0	113 400	120 000	18 000	3.0	
AL 866	-			6 x 6						42.4	1.52	31.8	170 100	180 000	23 000	4.5	
AL 1044	-	1.25	31.75	4 x 4	9.53	25.7	4.0	3175		37.3	1.52	24.6	177 000	200 000	36 000	4.9	
AL 1066	-			6 x 6						54.0	2.29	41.0	265 500	300 000	46 000	7.3	
AL 1244	-			4 x 4						43.7	2.08	28.8	254 000	320 000		6.4	
AL 1266	-	1.50	38.1	6 x 6	11.1	29.4	4.7	3810		63.4	3.12	48.0	381 000	390 000		9.5	
AL 1288	-			8 x 8						83.0	4.17	67.2	508 000	520 000		12.7	
AL 1444	-	1.75	44.45	4 x 4	12.7	36.0	5.5	4445		51.2	2.8	33.6	372 000	374 000		9.6	
AL 1466	-			6 x 6						74.5	4.2	56.0	558 000	560 000		14.4	
AL 1666	-	2.00	50.8	6 x 6	14.27	41.2	6.3	5080		85.0	5.39	64.0	642 000	680 400		18.9	

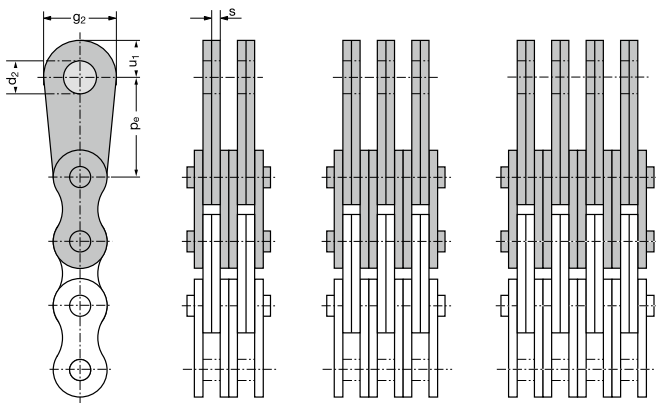
Leaf chain anchoring

Chain no.	End link order no.		Dimensions in mm				
	IEG	AEG	Pe	d ₂ A11	g ₂	s	u ₁
AL 644	170 - 144 - 22	45	25	10	19.8	2.4	11.2
AL 666	170 - 144 - 44	65					
AL 688	170 - 144 - 66	85					
AL 1044	170 - 150 - 22	45	40	14	30.0	4.0	18.0
AL 1066	170 - 150 - 88	65					

End links are available as inner and outer links. Ordering example for end links to fit leaf chain AL 644:

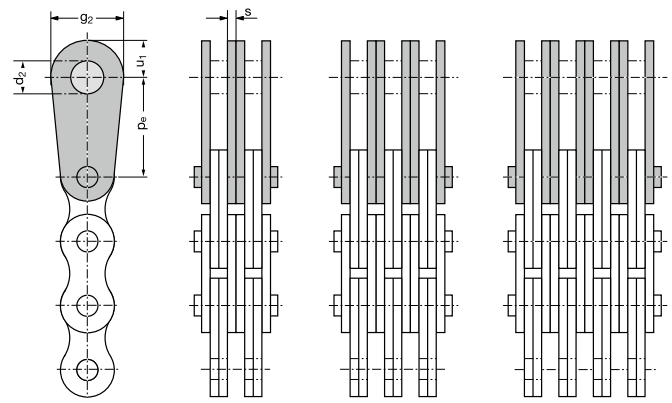
a) as IEG (inner end link): 170-118-44 b) as AEG (outer end link): 170-118-45

End links as inner links (IEG)



Scope of delivery:
End links (pear-shaped) along with leaf chain
outer link supplied as a complete ready-to-riquet sub-assembly.

End links as outer links (AEG)



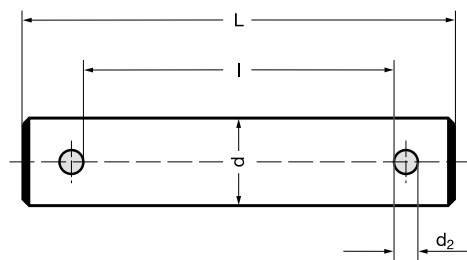
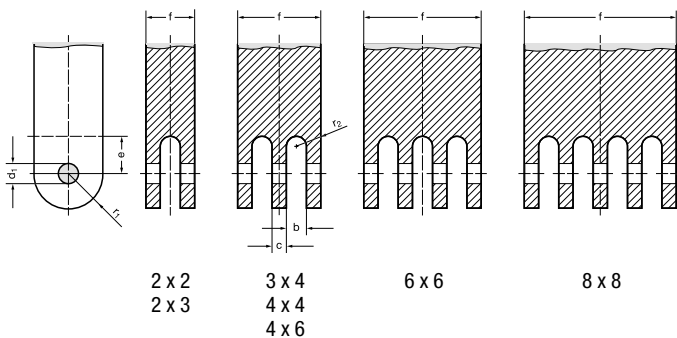
Scope of delivery:
End links (pear-shaped) and matching
ready-to-riquet pin.

Recommended chain anchor dimensions for connecting leaf chain inner links

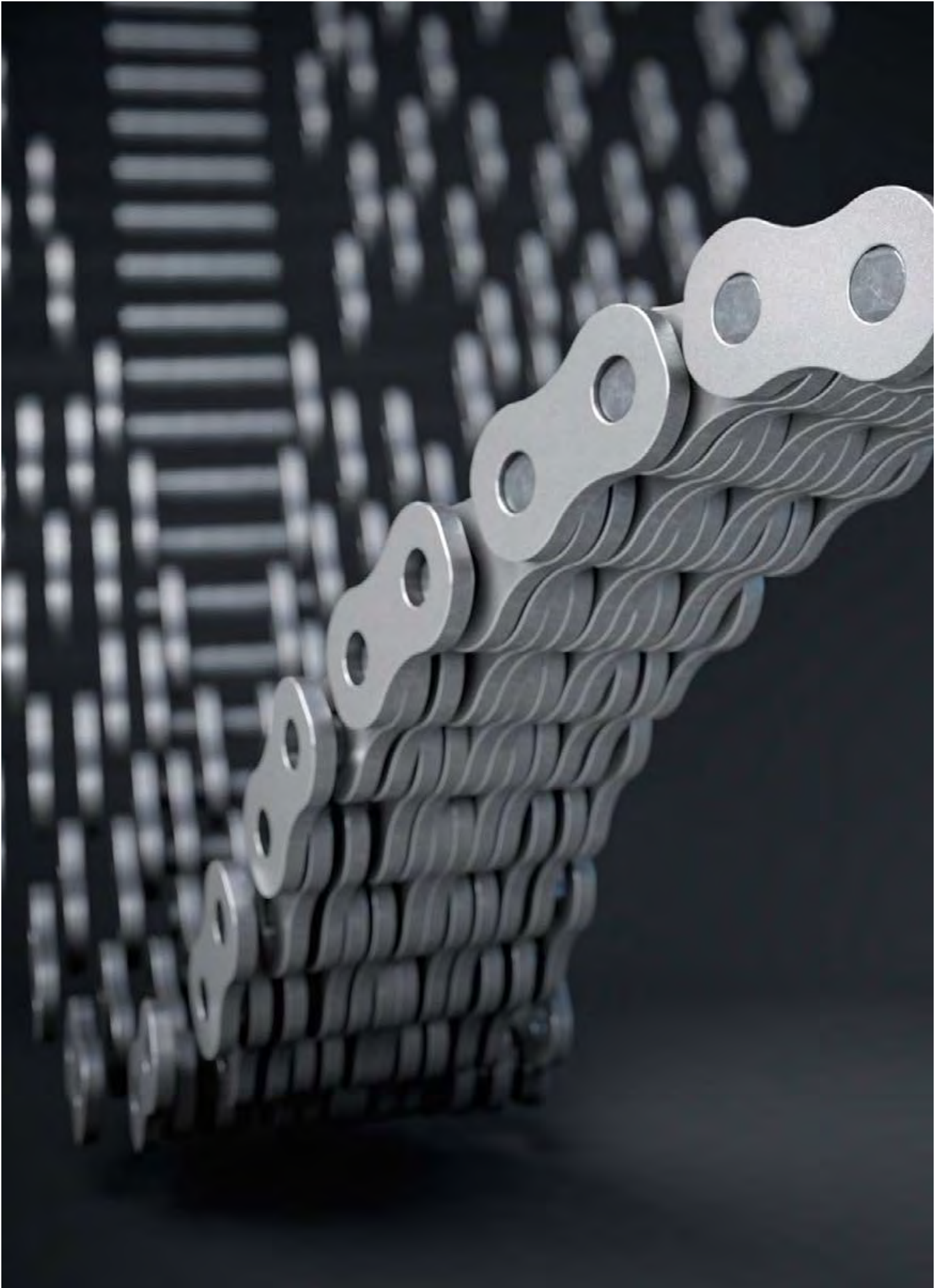
Chain no.	Inner link connector dimensions Dimensions in mm						
	f	b	c	d ₁	e	r ₁	r ₂
	max.	min.	max.	D 10	min.	max.	max.
AL 522	10.7	4.2	–	5.1	9.0	6.5	2.0
AL 544	18.9	4.2	4.0				2.0
AL 566	26.9	4.2	4.0				2.0
AL 588	35.4	4.2	4.0				2.0
AL 622	12.7	5.0	–	6.0	11.0	8.0	2.0
AL 644	22.4	5.0	4.8				2.0
AL 666	31.9	5.0	4.8				2.0
AL 688	42.4	5.0	4.8				2.0
AL 844	29.9	6.8	6.4	9.6	18.0	12.5	3.0
AL 866	42.9	6.8	6.4				3.0
AL 888	56.4	6.8	6.4				3.0
AL 1044	36.9	8.5	8.0				4.0
AL 1066	52.9	8.5	8.0	11.2	22.0	15.0	4.0
AL 1088	69.4	8.5	8.0				4.0
AL 1244	44.0	10.0	9.4				5.0
AL 1266	63.0	10.0	9.4				5.0
AL 1288	79.7	10.0	9.4	12.8	26.0	19.0	5.0
AL 1444	49.0	11.8	11.0				5.0
AL 1466	75.1	11.8	11.0				5.0
AL 1488	98.4	11.8	11.0				5.0
AL 1644	58.4	13.4	12.6	14.3	31.0	22.0	6.0
AL 1666	84.9	13.4	12.6				6.0

Connecting pin for attaching leaf chains to chain anchor

Chain no.	Connecting pin order no.	Connecting pin dimensions Dimensions in mm			
		l min.	L max.	d max.	d ₂
		AL 522	709 – 305 – 22	10.8	17.0
AL 544	709 – 305 – 44	19.0	25.2		
AL 566	709 – 305 – 66	27.0	33.3		
AL 588	709 – 305 – 88	35.5	41.8		
AL 622	709 – 355 – 22	12.8	19.4	5.94	2.0
AL 644	709 – 355 – 44	22.5	29.1		
AL 666	709 – 355 – 66	32.0	38.7		
AL 688	709 – 355 – 88	42.5	49.3		
AL 844	709 – 307 – 44	30.0	40.7	3.0	3.0
AL 866	709 – 307 – 66	43.0	53.7		
AL 888	709 – 307 – 88	56.5	67.2		
AL 1044	709 – 309 – 44	37.0	47.7		
AL 1066	709 – 309 – 66	53.0	63.7	3.0	3.0
AL 1088	709 – 309 – 88	69.5	80.3		
AL 1244	709 – 311 – 44	44.2	56.6		
AL 1266	709 – 311 – 66	63.2	75.6		
AL 1288	709 – 311 – 88	79.9	92.4	3.0	3.0
AL 1444	709 – 312 – 44	50.0	64.4		
AL 1466	709 – 312 – 66	75.3	87.8		
AL 1488	709 – 312 – 88	98.6	111.1		
AL 1644	709 – 314 – 44	58.6	71.1	3.0	3.0
AL 1666	709 – 314 – 66	85.1	97.7		

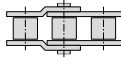


All pins are fitted with 2 cotters and – from BL 1234 and F 38 upwards – with 2 additional washers.



Overview Rexnord roller chains

Roller Chains



REXNORD

RexPro
RexPro lubrication
improved wear resistance
high fatigue resistance

- Outstanding protection against corrosion and wear
- Unique protection against chain joint stiffness
- Extremely eco-friendly

REXNORD

RexAthletic
good loading capacity
extended lubrication intervals

- Durable and low-maintenance
- Longer servicing intervals
- High loading capacity

REXNORD

RexCarbon
no lubrication
low noise

- Maintenance-free
- Low noise
- Eco-friendly

REXNORD

RexPlus
excellent corrosion resistance
high reliability

- Excellent resistance to rust and acids
- Highly reliable
- Fulfills hygiene requirements
- NSF H1 certification

REXNORD

RexPlusCarbon
no lubrication
excellent corrosion resistance

- Combination of RexPlus and RexCarbon
- Excellent resistance to rust and acids
- Maintenance-free
- NSF H1 certification

REXNORD

RexHiPro
good corrosion resistance
excellent loading capacity

- Outstanding corrosion resistance
- Long service life
- High loading capacity

Link-Belt
a brand of REXNORD

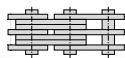
- The optimum choice for light and medium duty
- Good cost-benefit ratio
- High availability

REXNORD

RexProX
RexPro lubrication
improved wear resistance
high fatigue resistance

- Extremely high loading capacity
- Long service life
- Outstanding protection against corrosion and wear

Flyer Chains



REXNORD

RexPro
RexPro lubrication
improved wear resistance
high fatigue resistance

- Outstanding protection against corrosion and wear
- Unique protection against chain joint stiffness
- Extremely eco-friendly

REXNORD

RexHiPro
good corrosion resistance
excellent loading capacity

- Outstanding corrosion resistance
- Long service life
- High loading capacity

REXNORD

RexDura
improved wear resistance
lubrication stay in chain hinge

- Durable and low-maintenance
- Longer servicing intervals
- High loading capacity
- Extreme wear resistance for double-length service life

REXDL
a brand of REXNORD

- The optimum choice for light and medium duty
- Good cost-benefit ratio
- Good availability



High Performance from Rexnord

Leaf chains BL Series | American type

REXNORD

RexPro
RexPro lubrication
improved wear resistance
high fatigue resistance

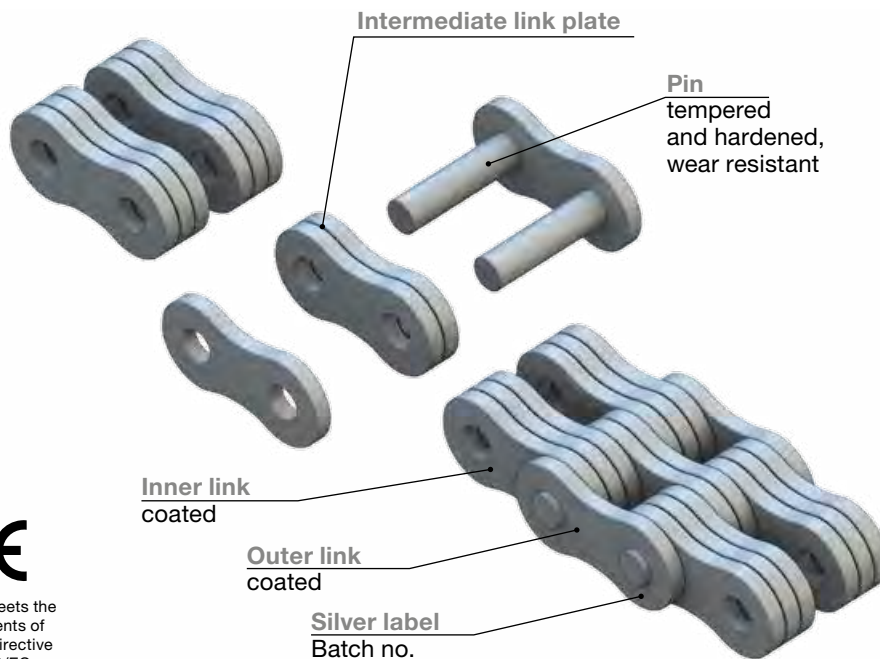
kg



Leaf chains BL-Series - American type

High performance from Rexnord.

Good corrosion protection, maximum operating reliability



Rexnord meets the requirements of Machine Directive 2006/42/EC

APPLICATIONS

- Forklift trucks, telehandlers
- Material handling
- Machine tools

CHARACTERISTICS

- Improved protection against chain joint stiffness
- Improved wear resistance
- Excellent corrosion resistance
- Very eco-friendly
- Made from high-quality materials
- Ball-drifted plate holes
- "Silver label" batch number for better traceability
- Shot-peened pins and link plates
- NSF H2 certification, RoHS:2005 conformity

ADVANTAGES

- Minimal running-in elongation
- Long service lifespan
- Extremely shock resistant
- Very robust, even in difficult conditions
- Maximum operating reliability
- Improved cost-effectiveness

LUBRICATION

- RexPro lubricants without heavy metals for outstanding protection
- Operating temperature: -30° C to +130° C (can be extended to -40° C to +250° C)
- Very good surface adhesion; drip-resistant even at high temperatures
- No heavy metals, Teflon- and silicone-free

RexPro - Leaf chains - High performance from Rexnord



Excellent Corrosion Protection

- 8-10 times better than the best competitors
- More than 100% better in the buckling test
- Highly versatile, also suitable for aggressive environments



Improved Wear Resistance

- 8-12% improvement in comparison to predecessor
- Great protection through RexPro lubrication
- Long working life
- High operating reliability



High Fatigue Resistance

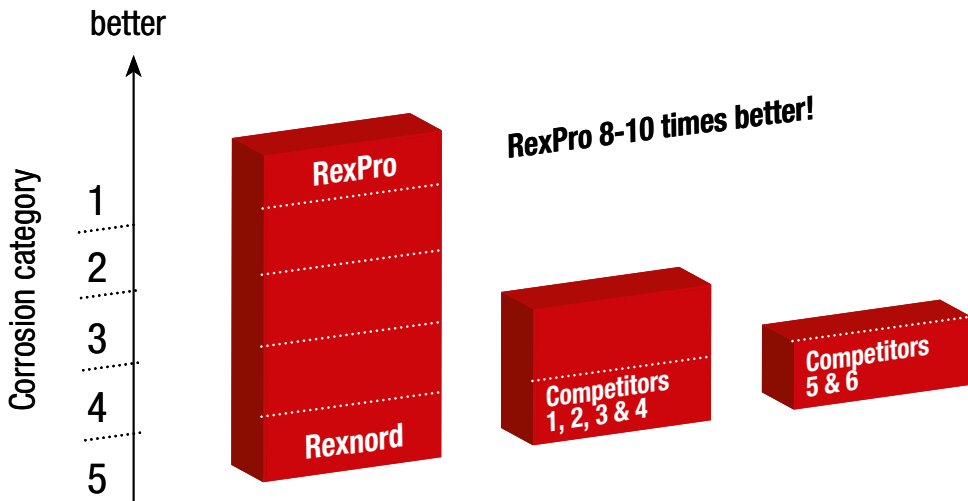
- Ball-drifted plate holes
- Shot-peened chain links, seam-free rollers
- High pre-loading



Eco friendly

- Through RexPro lubrication
- No heavy metals; Teflon- and silicone-free
- Environmental management system conforms to DIN EN ISO 14001

Salt spray test in accordance with DIN EN ISO 9227



Rexnord meets the requirements of Machine Directive 2006/42/EC

Leaf chains BL Series - American type, heavy series

High performance from Rexnord.



Rexnord meets the requirements of Machine Directive 2006/42/EC



Excellent Corrosion Protection

- 8-10 times better than the best competitors
- More than 100% better in the buckling test
- Highly versatile, also suitable for aggressive environments



Improved Wear Resistance

- 8-12% improvement in comparison to predecessor
- Great protection through RexPro lubrication
- Long working life
- High operating reliability



High Fatigue Resistance

- Ball-drifted plate holes
- Shot-peened chain links, seam-free rollers
- High pre-loading



Eco friendly

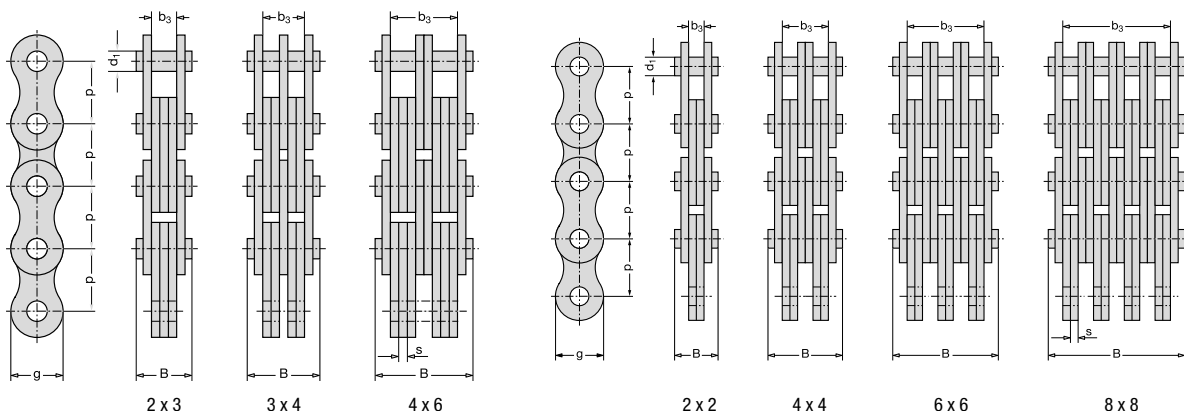
- Through RexPro lubrication
- No heavy metals; Teflon- and silicone-free
- Environmental management system conforms to DIN EN ISO 14001

Table 1 of 2

Leaf chains in accordance with DIN ISO 4347 / DIN 8152

Chain no.	Chain designation	Pitch p		Link plate combination	Pin Ø	Link plate height	Link plate thickness	Length over 100 pitches	Overall width		Clear width outer link	Required min. breaking strength ISO	Rexnord min. breaking strength	Fatigue resistance	Weight
		Zoll	mm						B max. mm	A cm ²					
BL 422	LH 0822	0.5	12.7	2 x 2	5.08	11.7	2	1270	10.9	0.2	4.2	22 200			
BL 423	LH 0823			2 x 3					13	0.3	6.3	22 200			
BL 434	LH 0834			3 x 4					17.1	0.41	10.5	33 300			
BL 444	LH 0844			4 x 4					19.25	0.41	12.6	44 400			
BL 446	LH 0846			4 x 6					23.45	0.61	16.8	44 400			
BL 466	LH 0866			6 x 6					27.6	0.61	21	66 600			
BL 523	LH 1023	0.625	15.875	2 x 3	5.94	14.6	2.4	1596	15.0	0.43	7.4	33 400	40 000	10 500	1.1
BL 534	LH 1034			3 x 4					20.0	0.57	12.3	48 900	60 000	11 500	1.5
BL 544	LH 1044			4 x 4					22.5	0.57	14.7	66 700	80 000	12 000	1.8
BL 546	LH 1046			4 x 6					27.4	0.86	19.5	66 700	80 000	14 000	23.2
BL 566	LH 1066			6 x 6					32.3	0.86	24.6	100 100	120 000	15 200	2.6
BL 588	LH 1088			8 x 8					42.2	1.14	34.3	133 000	160 000	17 000	3.4
BL 622	LH 1222	0.75	19.05	2 x 2	7.92	17.9	3.1	1905	16.6	0.51	6.4	48 900	62 000	13 000	1.5
BL 623	LH 1223			2 x 3					19.9	0.74	9.6	48 900	62 000	16 300	1.8
BL 634	LH 1234			3 x 4					26.5	0.98	16	75 600	93 000	17 400	2.5
BL 644	LH 1244			4 x 4					29.7	0.98	19.2	97 900	124 000	19 000	2.9
BL 646	LH 1246			4 x 6					36.3	1.47	25.6	97 900	124 000	21 500	3.6
BL 666	LH 1266			6 x 6					42.7	1.47	32.0*	146 000	186 000	24 500	4.3
BL 822	LH 1622	1	25.4	2 x 2	9.53	23.6	4.0	2540	20.6	0.74	8.2	84 500	105 000	22 000	2.4
BL 823	LH 1623			2 x 3					24.8	1.14	12.3	84 500	105 000	30 000	3
BL 834	LH 1634			3 x 4					33.1	1.52	20.5	129 900	158 000	32 000	4.2
BL 844	LH 1644			4 x 4					37.3	1.52	24.6	169 000	210 000	33 500	4.8
BL 846	LH 1646			4 x 6					45.6	2.29	32.8	169 000	210 000	38 500	6
BL 866	LH 1666			6 x 6					54.0	2.29	41.3	253 600	315 000	41 850	7.2
BL 888	LH 1688	8 x 8	70.7	2.97	57.9	338 000	420 000	45 000	9.6						

* Please contact Rexnord regarding precision of fit with ISO anchors



Leaf chains BL Series - American type, heavy series

High performance from Rexnord.



Excellent Corrosion Protection

- 8-10 times better than the best competitors
- More than 100% better in the buckling test
- Highly versatile, also suitable for aggressive environments



Improved Wear Resistance

- 8-12% improvement in comparison to predecessor
- Great protection through RexPro lubrication
- Long working life
- High operating reliability



High Fatigue Resistance

- Ball-drifted plate holes
- Shot-peened chain links, seam-free rollers
- High pre-loading



Eco friendly

- Through RexPro lubrication
- No heavy metals; Teflon- and silicone-free
- Environmental management system conforms to DIN EN ISO 14001



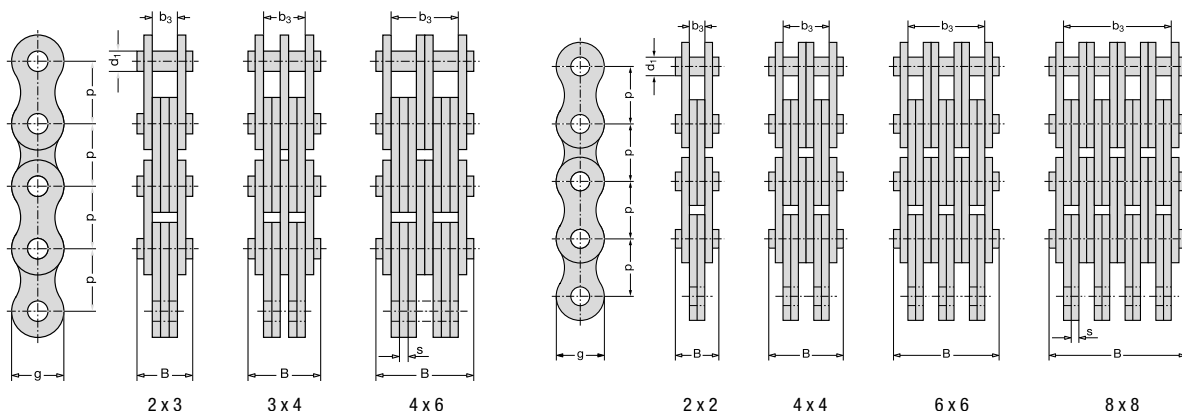
Rexnord meets the requirements of Machine Directive 2006/42/EC

Table 2 of 2

Leaf chains in accordance with DIN ISO 4347 / DIN 8152

Chain no.	Chain designation	Pitch p		Link plate combination	Pin Ø	Link plate height	Link plate thickness	Length over 100 pitches	Overall width	Bearing area	Clear width outer link	Required min. breaking strength ISO	Rexnord min. breaking strength	Fatigue resistance	Weight
		Zoll	mm												
BL 1023	LH 2023	1.25	31.75	2 x 3	11.1	29.2	4.7	3179	28.9	1.56	14.4	115 600	164 000	47 500	4.4
BL 1034	LH 2034			3 x 4					38.8	2.09	24.1	182 400	246 000	50 000	6.2
BL 1044	LH 2044			4 x 4					43.7	2.09	29.0	231 200	328 000	55 000	7
BL 1046	LH 2046			4 x 6					53.5	3.12	38.9	231 200	328 000	62 000	8.7
BL 1066	LH 2066			6 x 6					63.5	3.12	48.6	347 000	492 000	69 000	10.5
BL 1088	LH 2088			8 x 8					83.2	4.17	69.2	462 400	656 000	74 000	13.9
BL 1223	LH 2423	1.5	38.10	2 x 3	12.7	34.4	5.5	3810	33.6	2.1	16.8	151 200	200 000	64 000	6
BL 1234	LH 2434			3 x 4					45.5	2.8	28.0	224 600	300 000	68 000	8.3
BL 1244	LH 2444			3 x 4					51.2	2.8	33.6	302 400	400 000	72 000	9.5
BL 1246	LH 2446			4 x 6					62.7	4.2	44.8	302 400	400 000	82 500	11.8
BL 1266	LH 2466			6 x 6					74.5	4.2	56.0*	453 600	600 000	90 000	14.1
BL 1288	LH 2488			8 x 8					97.8	5.4	78.4	604 800	800 000	98 000	18.8
BL 1423	LH 2823	1.75	44.45	2 x 3	14.27	40.8	6.3	4445	38.2	2.7	19.2	191 300	250 000	83	8.3
BL 1434	LH 2834			3 x 4					51.7	3.6	32.0	315 800	375 000	11.6	
BL 1444	LH 2844			4 x 4					58.2	3.6	38.4	382 600	500 000	13.2	
BL 1446	LH 2846			4 x 6					71.5	5.4	51.2	382 600	500 000	16.4	
BL 1466	LH 2866			6 x 6					85.0	5.4	64.0*	578 300	750 000	19.7	
BL 1488	LH 2888			8 x 8					111.7	7.2	89.6	765 200	1 000 000	25.9	
BL 1623	LH 3223	2	50.8	2 x 3	17.46	47.9	7	5080	42.1	3.67	21.3*	289 100	350 000	11	
BL 1634	LH 3234			3 x 4					57.0	4.89	35.5*	440 400	525 000	15.4	
BL 1644	LH 3244			4 x 4					63.8	5.0	42.6*	578 200	700 000	17.5	
BL 1646	LH 3246			4 x 6					78.9	7.33	56.8*	578 200	700 000	21.8	
BL 1666	LH 3266			6 x 6					95.0	7.33	73.7*	867 400	1 050 000	26.2	
BL 1688	LH 3288			8 x 8					125.6	9.78	103.5	1 156 400	1 600 000	34.9	

* Please contact Rexnord regarding precision of fit with ISO anchors

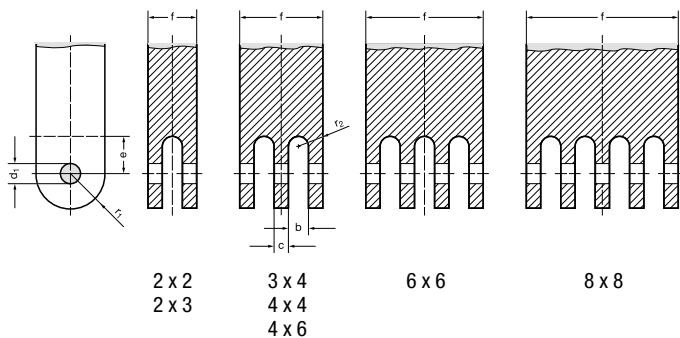


M09/GB/2013/01-DV // No liability accepted for misprints or errors.

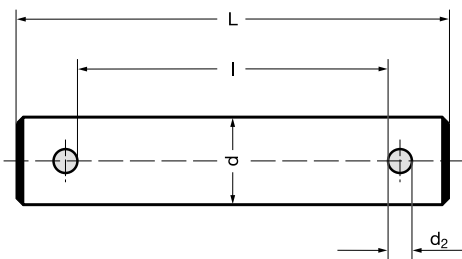
Recommended chain anchor dimensions for connecting leaf chain inner links

Connecting pin for attaching leaf chains to chain anchor

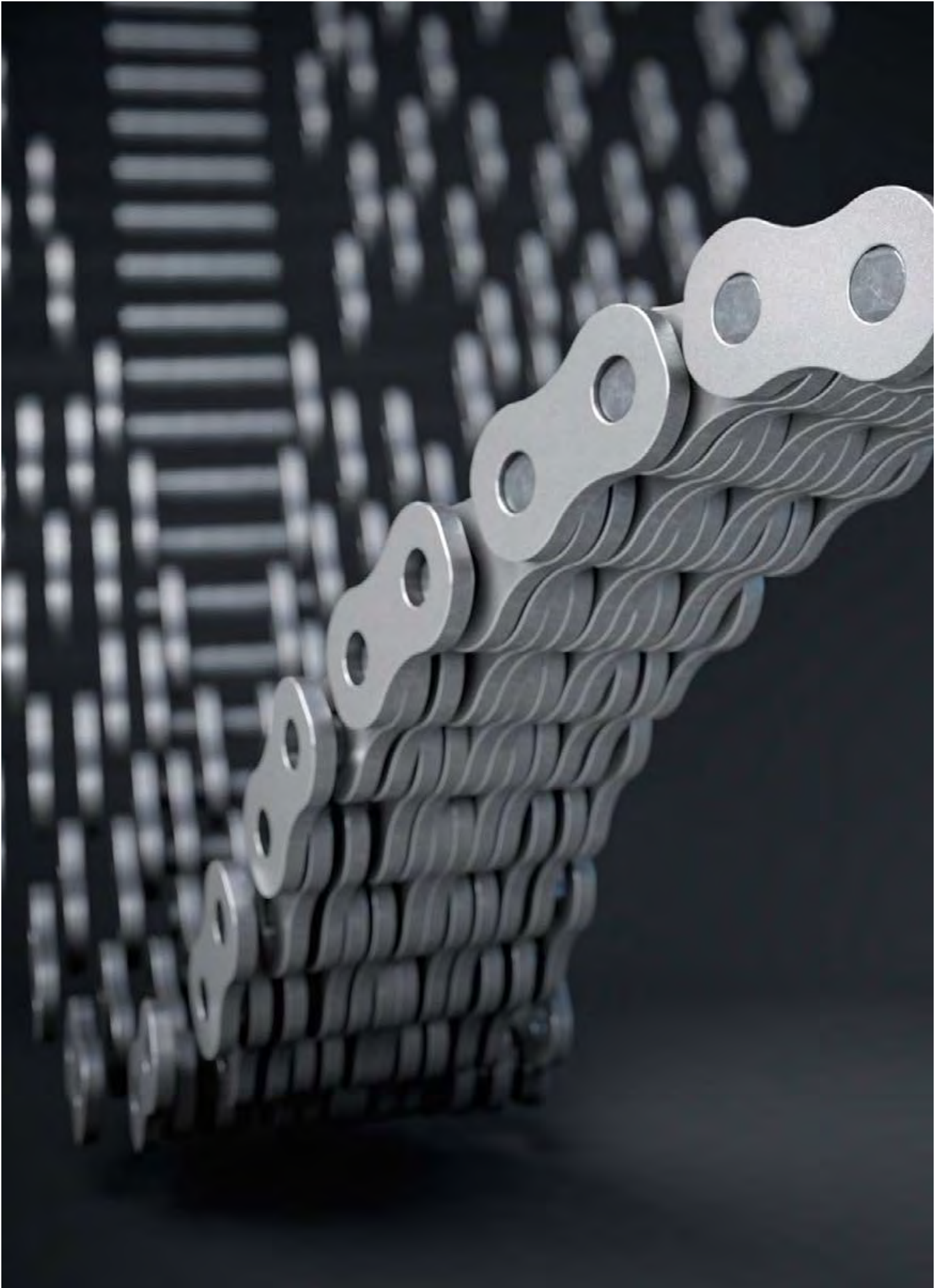
Chain no.	Inner link connector dimensions Dimensions in mm									
	f	b	c	d ₁	e	r ₁	r ₂			
	max.	min.	max.	D 10	min.	max.	max.			
BL 422	10.7	4.2	–	5.1	9.0	6.5	2.0			
BL 423	12.6	6.4	–				3.0			
BL 434	16.9	4.2	2.0				2.0			
BL 444	18.9	4.2	4.0				2.0			
BL 446	22.9	6.4	4.0				2.0			
BL 466	26.9	4.2	4.0				2.0			
BL 488	35.4	4.2	4.0				2.0			
BL 522	12.7	5.0	–				2.0			
BL 523	14.9	7.5	–	2.0						
BL 534	19.9	5.0	2.4	6.0	11.0	8.0	2.0			
BL 544	22.4	5.0	4.8				2.0			
BL 546	26.9	7.5	4.8				2.0			
BL 566	31.9	5.0	4.8				2.0			
BL 588	42.4	5.0	4.8				2.0			
BL 623	19.9	10.3	–				5.0			
BL 634	26.9	6.8	3.2				3.0			
BL 644	29.9	6.8	6.4				3.0			
BL 646	36.9	6.8	6.4	3.0						
BL 666	42.9	6.8	6.4	3.0						
BL 688	56.4	6.8	6.4	3.0						
BL 823	24.9	12.8	–	9.6	18.0	12.5	6.0			
BL 834	32.9	8.5	4.0				4.0			
BL 844	36.9	8.5	8.0				4.0			
BL 846	45.9	12.8	8.0				6.0			
BL 866	52.9	8.5	8.0				4.0			
BL 888	69.4	8.5	8.0				4.0			
BL 1023	69.4	8.5	8.0				4.0			
BL 1034	39.0	10.0	4.7				5.0			
BL 1044	44.0	10.0	9.4	11.2	22.0	15.0	5.0			
BL 1046	54.0	15.1	9.4				7.0			
BL 1066	63.0	10.0	9.4				5.0			
BL 1088	79.7	10.0	9.4				5.0			
BL 1223	34.3	17.7	–				8.0			
BL 1234	46.0	11.8	5.5				5.0			
BL 1244	49.0	11.8	11.0				12.8	26.0	19.0	5.0
BL 1246	63.3	17.7	11.0							8.0
BL 1266	75.1	11.8	11.0	5.0						
BL 1288	98.4	11.8	11.0	5.0						
BL 1423	38.5	20.1	–	10.0						
BL 1434	52.0	13.4	6.3	6.0						
BL 1444	58.4	13.4	12.6	14.3	31.0	22.0				6.0
BL 1446	71.5	20.1	12.6							10.0
BL 1466	84.9	13.4	12.6				6.0			
BL 1623	42.8	22.5	–				10.0			
BL 1634	57.7	15.0	7.1				7.0			
BL 1644	65.4	15.0	14.2				17.5	34.0	25.0	7.0
BL 1646	79.6	22.5	14.2							10.0
BL 1666	94.3	15.0	14.2							7.0
BL 1688	123.7	15.0	14.2	7.0						



Chain no.	Connecting pin order no.	Connecting pin Dimensions in mm					
		l min.	L max.	d max.	d ₂		
		BL 422	709-305-22	10.8	17.0	5.08	1.6
BL 423	709-305-23	12.7	18.9				
BL 434	709-305-34	17.0	23.2				
BL 444	709-305-44	19.0	25.2				
BL 446	709-305-46	23.0	29.2				
BL 466	709-305-66	27.0	33.3				
BL 488	709-305-88	35.5	41.8				
BL 522	709-355-22	12.8	19.4				
BL 523	709-355-23	15.0	21.6				
BL 534	709-355-34	20.0	26.6				
BL 544	709-355-44	22.5	29.1	5.94	2.0		
BL 546	709-355-46	27.0	33.7				
BL 566	709-355-66	32.0	38.7				
BL 588	709-355-88	42.5	49.3				
BL 623	709-307-23	20.0	30.7				
BL 634	709-307-34	27.0	37.7			7.92	3.2
BL 644	709-307-44	30.0	40.7				
BL 646	709-307-46	37.0	47.7				
BL 666	709-307-66	43.0	53.7				
BL 688	709-307-88	56.5	67.2				
BL 823	709-309-23	25.0	35.7				
BL 834	709-309-34	33.0	43.7	9.53	3.2		
BL 844	709-309-44	37.0	47.7				
BL 846	709-309-46	46.0	56.7				
BL 866	709-309-66	53.0	63.7				
BL 888	709-309-88	69.5	80.3				
BL 1023	709-311-23	30.0	42.4				
BL 1034	709-311-34	39.2	51.6			11.1	4.0
BL 1044	709-311-44	44.2	56.6				
BL 1046	709-311-46	54.2	66.6				
BL 1066	709-311-66	63.2	75.6				
BL 1088	709-311-88	79.9	92.4				
BL 1223	709-312-23	34.5	46.9				
BL 1234	709-312-34	46.2	58.6	12.7	4.0		
BL 1244	709-312-44	50.0	64.4				
BL 1246	709-312-46	63.5	76.0				
BL 1266	709-312-66	75.3	87.8				
BL 1288	709-312-88	98.6	111.1				
BL 1423	709-314-23	38.7	51.1				
BL 1434	709-314-34	52.2	64.6			14.27	4.0
BL 1444	709-314-44	58.6	71.1				
BL 1446	709-314-46	71.7	84.2				
BL 1466	709-314-66	85.1	97.7				
BL 1623	709-317-23	43.1	60.6				
BL 1634	709-317-34	58.0	75.5	17.46	5.0		
BL 1644	709-317-44	65.7	82.9				
BL 1646	709-317-46	79.9	97.4				
BL 1666	709-317-66	94.6	112.2				
BL 1688	709-317-88	124.0	141.6				

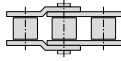


All pins are fitted with 2 cotters and – from BL 1234 with 2 additional washers.



Overview Rexnord roller chains

Roller Chains



REXNORD

RexPro
RexPro lubrication
improved wear resistance
high fatigue resistance

- Outstanding protection against corrosion and wear
- Unique protection against chain joint stiffness
- Extremely eco-friendly

REXNORD

RexAthletic
good loading capacity
extended lubrication intervals

- Durable and low-maintenance
- Longer servicing intervals
- High loading capacity

REXNORD

RexCarbon
no lubrication
low noise

- Maintenance-free
- Low noise
- Eco-friendly

REXNORD

RexPlus
excellent corrosion resistance
high reliability

- Excellent resistance to rust and acids
- Highly reliable
- Fulfills hygiene requirements
- NSF H1 certification

REXNORD

RexPlusCarbon
no lubrication
excellent corrosion resistance

- Combination of RexPlus and RexCarbon
- Excellent resistance to rust and acids
- Maintenance-free
- NSF H1 certification

REXNORD

RexHiPro
good corrosion resistance
excellent loading capacity

- Outstanding corrosion resistance
- Long service life
- High loading capacity

Link-Belt
a brand of
REXNORD

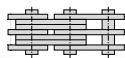
- The optimum choice for light and medium duty
- Good cost-benefit ratio
- High availability

REXNORD

RexProX
RexPro lubrication
improved wear resistance
high fatigue resistance

- Extremely high loading capacity
- Long service life
- Outstanding protection against corrosion and wear

Flyer Chains



REXNORD

RexPro
RexPro lubrication
improved wear resistance
high fatigue resistance

- Outstanding protection against corrosion and wear
- Unique protection against chain joint stiffness
- Extremely eco-friendly

REXNORD

RexHiPro
good corrosion resistance
excellent loading capacity

- Outstanding corrosion resistance
- Long service life
- High loading capacity

REXNORD

RexDura
improved wear resistance
lubrication stay in chain hinge

- Durable and low-maintenance
- Longer servicing intervals
- High loading capacity
- Extreme wear resistance for double-length service life

REXDL
a brand of
REXNORD

- The optimum choice for light and medium duty
- Good cost-benefit ratio
- Good availability