



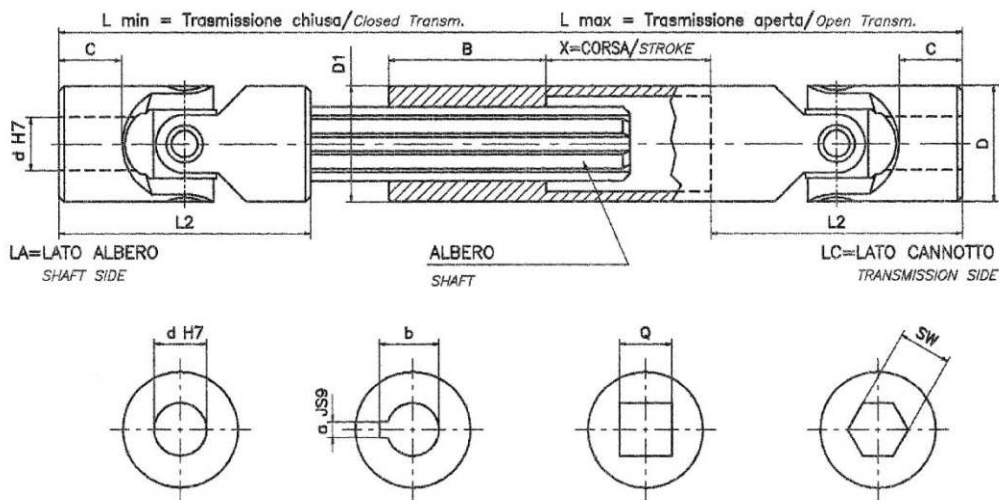
- Giunti serie "G" con bussole di scorrimento anti-usura.
Joints series "G" with wear resistant sliding bushes.

- Lunghezze min. e max. a richiesta:
Min. and max. lengths on request:

$$L. MIN. \geq \frac{L. MAX. + 2 L2 + B}{2}$$

$$CORSA X \geq \frac{L. MAX. - 2 L2 - B}{2}$$

- Esecuzioni speciali a richiesta
Special execution on request.



Mod. Type	d	D	L2	C	L min.	L max.	x	B	a	b	Q	SW	Albero Shaft	D1
					a richiesta - on request									
01GA	6	16	34	8	←	→	—	25	2	7	6	6	SW 8	16
02GA	8	16	40	11	←	→	—	25	2	9	8	8	SW 8	16
03GA	10	22	48	12	←	→	—	30	3	11,4	10	10	11 x 14 Z6	22
04GA	12	25	56	13	←	→	—	40	4	13,8	12	12	13 x 16 Z6	26
05GA	14	28	60	14	←	→	—	40	5	16,3	14	14	13 x 16 Z6	29
1GA	16	32	68	16	←	→	—	40	5	18,3	16	16	16 x 20 Z6	32
2GA	18	36	74	17	←	→	—	40	6	20,8	18	18	18 x 22 Z6	37
3GA	20	42	82	18	←	→	—	45	6	22,8	20	20	21 x 25 Z6	42
4GA	22	45	95	22	←	→	—	45	6	24,8	22	22	23 x 28 Z6	47
5GA	25	50	108	26	←	→	—	45	8	28,3	25	25	26 x 32 Z6	52
6GA	30	58	122	29	←	→	—	50	8	33,3	30	30	32 x 38 Z8	58
7GA	35	70	140	35	←	→	—	70	10	38,3	**	**	36 x 42 Z8	70
8GA	40	80	160	39	←	→	—	80	12	43,3	**	**	42 x 48 Z8	80
9GA	50	95	190	46	←	→	—	90	14	53,8	**	**	46 x 54 Z8	95
03GBA	10	16	52	15	←	→	—	25	3	11,4	8	8	SW 8	16
04GBA	12	22	62	18	←	→	—	30	4	13,8	10	10	11 x 14 Z6	22
1GBA	16	25	74	21	←	→	—	40	5	18,3	12	12	13 x 16 Z6	26
3GBA	20	32	86	24	←	→	—	40	6	22,8	16	16	16 x 20 Z6	32
5GBA	25	42	108	31	←	→	—	45	8	28,3	20	20	21 x 25 Z6	42
6GBA	30	50	132	38	←	→	—	45	8	33,3	25	25	26 x 32 Z6	52
8GBA	40	70	166	47	←	→	—	70	12	43,3	**	**	36 x 42 Z8	70