



Extreme Performance from Rexnord

## RexPlusCarbon

A circular graphic with a green background. At the top is the Rexnord logo. Below it, there is a green leaf icon, a blue water drop icon, and the text "RexPlusCarbon" followed by "no lubrication" and "excellent corrosion resistance".

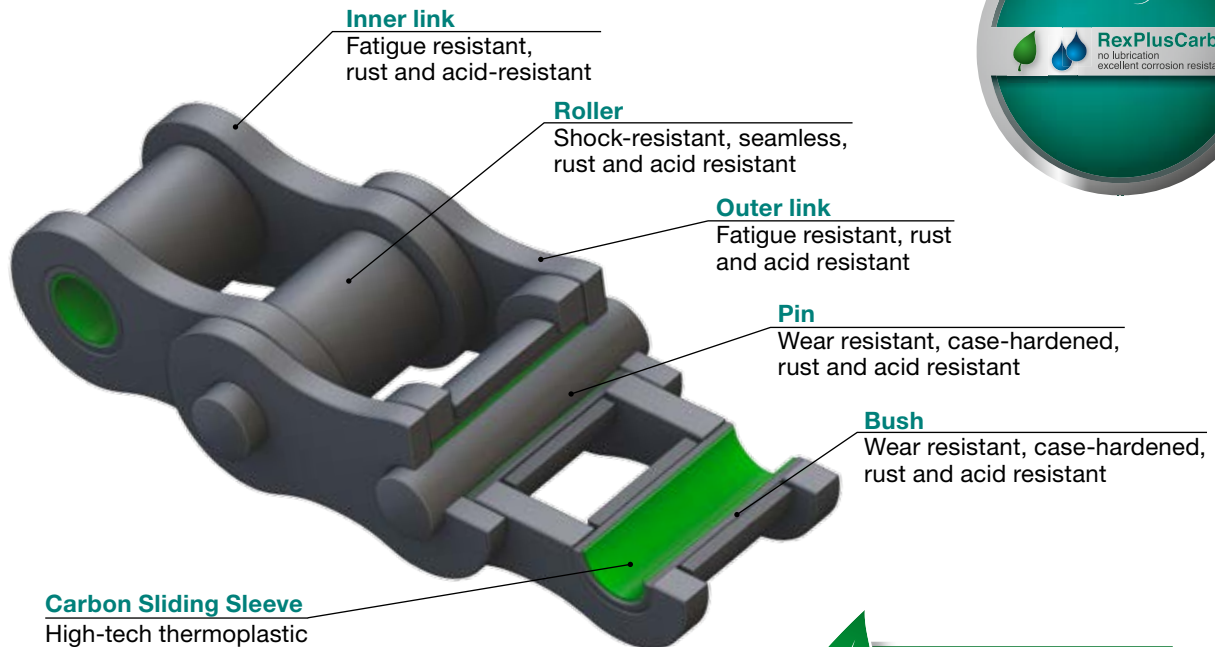
**REXNORD**

**RexPlusCarbon**  
no lubrication  
excellent corrosion resistance



## RexPlusCarbon

Extreme Performance from Rexnord.



### APPLICATION

- Versatile use
- Especially for critical environmental conditions such as water, steam, and aggressive liquids
- Food industry, packing industry, freezing industry, automotive industry

### CHARACTERISTICS

- High long-term loading capacity
- Extremely rust and acid resistant
- Optimized hard wearing chain link
- Seamless rollers
- NSF H1 certification
- High Tech carbon sliding sleeves
- Patented special steel

### ADVANTAGES

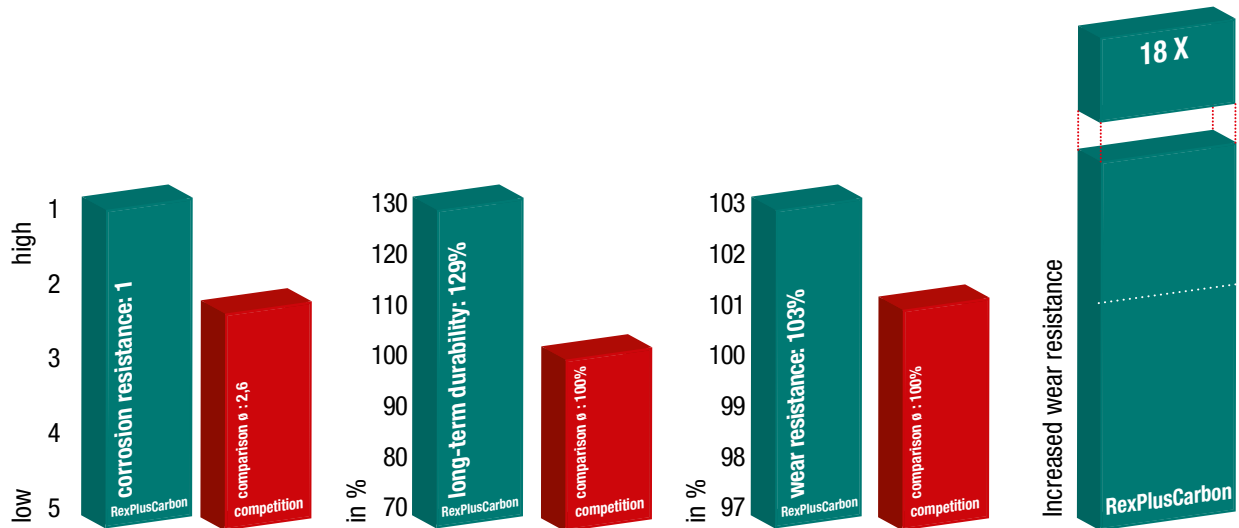
- No downtime, maintenance free
- No contamination of conveyed goods and surroundings, as no lubricants are necessary
- Trouble-free cleaning for a high level of cleanliness
- Maximum hygiene
- Low-noise and environment friendly
- High energy efficiency

### LUBRICATION

- Food-grade lubricant
- Temperature range from - 40° C bis + 100° C
- Special versions suitable for temperatures up to + 175° C

## RexPlusCarbon in comparison

RexPlusCarbon is more corrosion resistant, more fatigue resistant, and extremely wear resistant in comparison with its competitors.



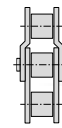
## Recommended chain tractive power for appropriate speeds

Chain type	temperature range -40° C to +80° C admissible tractive power for				temperature range +80° C to +100° C admissible tractive power for	
	N	N	N	N	N	N
	up to 0,5 m/s	up to 1,0 m/s	up to 1,5 m/s	up to 2,0 m/s	up to 0,5 m/s	up to 1,0 m/s
08 B-1 SS CB	850	750	650	500	680	600
10 B-1 SS CB	1100	1000	900	670	880	800
12 B-1 SS CB	1500	1300	1100	890	1200	1040
08 B-2 SS CB	1500	1300	1100	900	1200	1000
10 B-2 SS CB	1900	1800	1600	1200	1500	1400
12 B-2 SS CB	2600	2300	1900	1600	2100	1800



## RexPlusCarbon - European Standard

Extreme Performance from Rexnord.



### Simplex roller chains



#### Applications & Characteristics

- Highly versatile, particularly for critical applications
- Maximum hygiene
- excellent resistance to rust and acids



#### Maintenance & Service life

- Maintenance-free
- Continuous high loading capacity

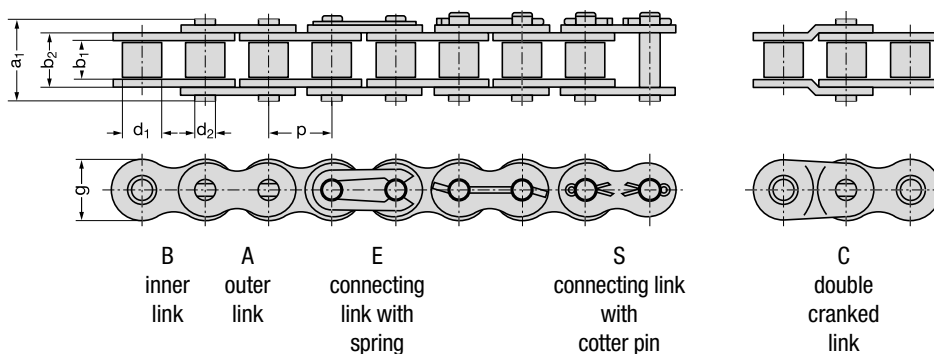


#### Eco-friendly

- NSF H1 certification
- No relubrication required

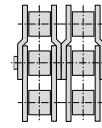
### RexPlusCarbon-Simplex roller chains

Chain No.	Pitch		Width between inner plates		Roller diameter	Pin diameter	Width over inner link	Plate depth	Transverse pitch	Pin length	Connecting pin length	Bearing area	Average tensile strength	Weight	Loose parts			
	inch	mm	b <sub>1</sub> min	d <sub>1</sub> max	d <sub>2</sub> max	b <sub>2</sub> max	g max	e	a <sub>1</sub> max	a <sub>3</sub> max	A	F <sub>b</sub>	q	A	B	C	E	
			mm	mm	mm	mm	mm	mm	mm	mm	mm	mm	cm <sup>2</sup>	N	kg/m			
08 B - 1 SS CB	0.50	12.7	7.75	8.51	4.45	11.30	11.6	-	17.0	19.0	0.50	11 000	0.7	x	x	x	x	
10 B - 1 SS CB	0.625	15.875	9.65	10.16	5.08	13.28	14.6	-	18.9	22.0	0.67	14 500	0.9	x	x	x	x	
12 B - 1 SS CB	0.75	19.05	11.68	12.07	5.72	15.62	15.9	-	22.3	25.1	0.89	17 500	1.2	x	x	x	x	
16 B - 1 SS CB	1.00	25.4	17.02	15.88	8.28	25.40	20.5	-	35.4	42.4	2.10	44 000	2.6	x	x	x	x	



## RexPlusCarbon - European Standard

Extreme Performance from Rexnord.



### Duplex roller chains



#### Applications & Characteristics

- Highly versatile, particularly for critical applications
- Maximum hygiene
- Excellent resistance to rust and acids



#### Maintenance & Service life

- Maintenance-free
- Continuous high loading capacity



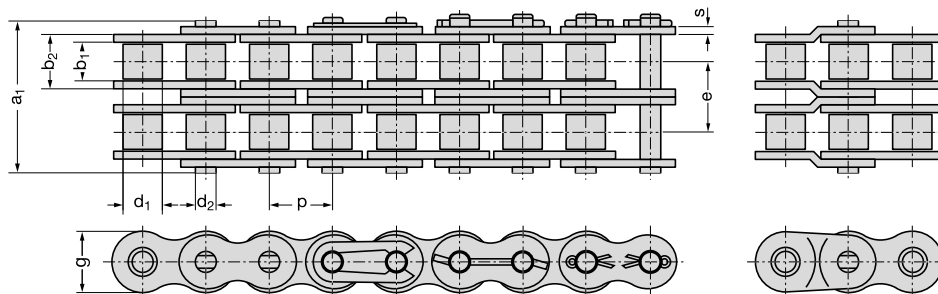
#### Eco-friendly

- NSF H1 certification
- No relubrication required



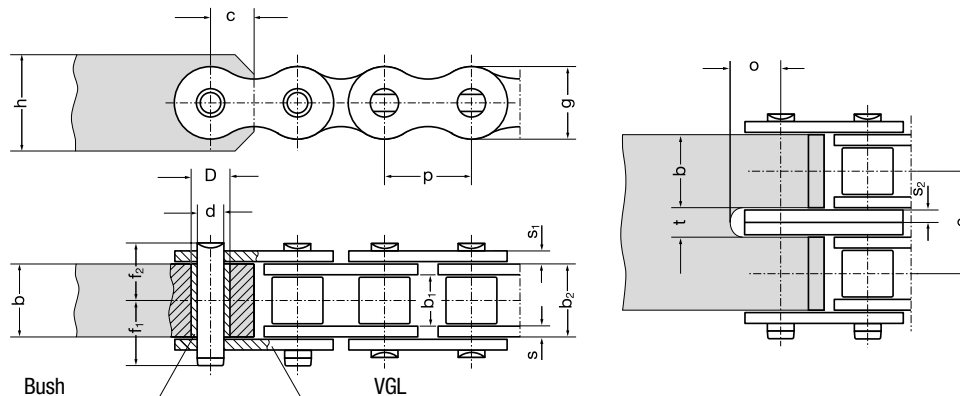
## RexPlusCarbon-Duplex roller chains

Chain No.	Pitch		Width between inner plates		Roller diameter	Pin diameter	Width over inner link	Plate depth	Transverse pitch	Pin length	Connecting pin length	Bearing area	Average tensile strength	Weight	Loose parts			
	inch	mm	b <sub>1</sub> min	d <sub>1</sub> max	d <sub>2</sub> max	b <sub>2</sub> max	g max	e	a <sub>1</sub> max	a <sub>3</sub> max	A	F <sub>b</sub>	q	A	B	C	E	
			mm	mm	mm	mm	mm	mm	mm	mm	mm	mm	cm <sup>2</sup>	N	kg/m	x	x	x
08 B - 2 SS CB	0.50	12.7	7.75	8.51	4.45	11.30	11.6	13.92	30.6	33.0	1.01	20 400	1.4	x	x	x	x	
10 B - 2 SS CB	0.625	15.875	9.65	10.16	5.08	13.28	14.6	16.59	35.5	38.6	1.34	29 000	1.8	x	x	x	x	
12 B - 2 SS CB	0.75	19.05	11.68	12.07	5.72	15.62	15.9	19.46	41.7	44.4	1.79	35 000	2.3	x	x	x	x	
16 B - 2 SS CB	1.00	25.4	17.02	15.88	8.28	25.40	20.5	31.88	67.4	74.0	4.21	81 000	5.3	x	x	x	x	



B inner link  
A outer link  
E connecting link with spring  
S connecting link with cotter pin  
C double cranked link

## Connecting dimensions for roller chains, European and American types



- Required material hardness of fixing elements: at least 490 N/mm<sup>2</sup>
- To increase wear resistance, fit a bush (surface hardness rating approx. 60 HRC) to the connecting element, if joint mobility is required at the connection point.
- Hardened bushes are not required in case of static loading
- Please order bushes using the corresponding bush part no.
- The bush bore diameters  $d^{C10}$  result from press-fitting in bore diameter  $D^{S7}$
- If no bushes are fitted, the bore  $d^{C10}$  is inserted directly into the connection element

### Connecting dimensions for roller chains, European type, ISO 606 / DIN 8187

Chain no.	Pitch		Width between inner plates		Width over inner link		Plate thickness				Bore $\emptyset$								Bush part no.
	p		b <sub>1</sub> min	b <sub>2</sub> max	s	s <sub>1</sub>	s <sub>2</sub>	g max	e	f <sub>1</sub>	f <sub>2</sub>	h	b max	c	d <sup>C10</sup>	D <sup>S7</sup>	t	o	
	inch	mm	mm	mm	mm	mm	mm	mm	mm	mm	mm	mm	mm	mm	mm	mm	mm	mm	
08 B	0.50	12.70	7.75	11.30	1.70	1.70	1.25	11.60	13.92	10.30	8.40	11	11.20	6.0	4.45	6.27	2.7	7.5	001544
10 B	0.625	15.875	9.65	13.28	1.70	1.50	1.50	14.60	16.59	11.30	9.40	13	13.20	7.5	5.08	7.00	3.2	8.0	001543
12 B	0.75	19.05	11.68	15.62	1.80	1.80	1.80	15.90	19.46	13.20	11.10	16	15.60	10.0	5.72	8.40	3.8	9.5	001542
16 B	1.00	25.40	17.02	25.40	3.75	3.05	3.05	20.50	31.88	21.60	17.70	20	25.40	14.0	8.28	11.70	6.4	13.0	001541
20 B	1.25	31.75	19.56	29.00	4.50	4.50	3.50	25.70	36.45	24.10	20.20	26	29.00	16.5	10.19	14.00	7.4	16.5	001449
24 B	1.50	38.10	25.40	37.90	5.80	5.00	5.00	33.00	48.36	31.60	26.90	33	37.90	19.5	14.63	18.99	10.6	20.0	001540
28 B	1.75	44.45	30.99	46.50	6.50	5.50	6.00	37.00	59.56	36.60	31.60	36	46.50	23.0	15.90	21.64	12.6	24.0	001539
32 B	2.00	50.80	30.99	45.50	6.30	6.30	6.30	41.20	58.55	38.40	32.50	42	45.50	27.0	17.81	23.12	13.2	27.0	001538
40 B	2.50	63.50	38.10	55.70	8.50	8.00	8.00	51.50	72.29	47.50	39.40	52	55.70	35.0	22.89	29.18	16.6	35.0	017776
48 B	3.00	76.20	45.72	70.50	12.00	10.00	10.00	63.50	91.21	56.00	49.20	64	70.50	40.0	29.24	37.90	20.6	40.0	001535
56 B	3.50	88.90	53.34	81.30	13.60	12.00	12.00	77.00	106.60	64.80	57.80	77	81.30	45.0	34.32	43.50	25.0	51.0	001536

### Connecting dimensions for roller chains, American type, ISO 606 / DIN 8188

Chain no.	Pitch		Width between inner plates		Width over inner link		Plate thickness				Bore $\emptyset$								Bush part no.
	p		b <sub>1</sub> min	b <sub>2</sub> max	s	s <sub>1</sub>	g max	e	f <sub>1</sub>	f <sub>2</sub>	h	b max	c	d <sup>C10</sup>	D <sup>S7</sup>	t	o		
	inch	mm	mm	mm	mm	mm	mm	mm	mm	mm	mm	mm	mm	mm	mm	mm	mm		
40	0.50	12.70	7.85	11.15	1.50	1.50	1.160	14.38	11.2	8.1	11	11.10	6.0	3.96	5.98	3.2	7.0	001544	
50	0.625	15.875	9.40	13.80	2.00	2.00	1.460	18.11	12.0	10.2	13	13.80	7.7	5.08	7.65	4.2	9.0	001543	
50	0.75	19.05	12.57	17.70	2.40	2.40	1.760	22.78	14.4	12.8	16	17.60	9.0	5.94	9.00	5.0	10.0	001542	
80	1.00	25.40	18.75	22.50	3.05	3.05	2.350	29.29	20.4	16.5	22	22.30	12.0	7.92	11.67	6.8	14.0	001541	
100	1.25	31.75	18.98	27.40	4.00	4.00	2.870	35.76	23.7	19.7	26	27.40	15.5	9.53	13.82	8.4	17.5	001449	
120	1.50	38.10	25.22	35.30	4.70	4.70	3.440	45.44	30.0	24.9	30	35.20	18.5	11.10	16.13	9.8	20.0	001540	
140	1.75	44.45	25.22	37.00	5.50	5.50	4.080	48.87	31.6	26.7	36	37.00	21.5	12.70	18.29	11.6	23.5	001539	
160	2.00	50.80	31.55	45.00	6.30	6.30	4.780	58.55	36.4	31.8	42	44.70	24.0	14.27	20.70	13.2	27.5	001538	
180	2.25	57.15	35.72	50.50	7.00	7.00	5.400	65.35	41.4	35.7	47	50.60	27.0	17.46	25.35	14.6	32.0	017776	
200	2.50	63.50	37.85	54.70	8.00	8.00	6.000	71.55	45.0	39.0	52	54.60	30.0	19.84	28.38	16.6	34.5	001535	
240	3.00	76.20	47.35	67.50	9.50	9.50	7.000	87.33	55.5	47.4	62	67.50	37.0	23.80	34.28	19.6	41.0	001536	

MODULE\_03/GB/2014/02 // No liability accepted for misprints or errors!

## Extreme Performance from Rexnord

Expert chains with innovative technology and materials:

- Stainless steel
- Seamless rollers
- High-tech carbon sliding sleeves
- Food-grade lubricants
- Alloy surfaces
- Anti-friction coatings



	RexAthletic	RexCarbon	RexPlus	RexPlusCarbon	RexHiPro	RexProX
--	-------------	-----------	---------	---------------	----------	---------

### Chain characteristics

Chain size	0,5" to 2"	0,5" to 1"	0,5" to 1"	0,5" to 1"	0,5" to 2"	0,5" to 2"
Maintenance level	low	zero	normal	zero	normal	low
Fatigue resistance	100%	100%	60%	60%	100%	100%
Tensile strength	100%	100%	60%	60%	100%	100%
Specific bearing load	100%	50%	50%	50%	100%	100%
Chain speed	up to 20 m/s	up to 20 m/s	up to 4 m/s	up to 2 m/s	up to 20 m/s	up to 20 m/s
Rust and acid resistant	no	no	damp	damp	partly	no

### Environmental conditions

Temperature range	0° C to 120° C *	-40° C to 100° C *	-40° C to 120° C *	-40° C to 100° C *	-30° C to 130° C *	0° C to 120° C *
Damp, corrosive atmosphere	partly	partly	damp	damp	damp	partly
Dusty	partly	damp	damp	damp	partly	partly
Hygienic	NSF H2	NSF H1	NSF H1	NSF H1	NSF H2	NSF H2

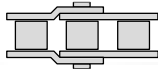
An appropriate lubrication method should be selected, depending on chain speed.

These guideline values are valid for shock-free loading, a shaft centre distance of 40 x pitch, with the chain running over two sprockets and a number of teeth z1 = 21; z2 = 42. Other drive parameters can be determined using the Rexnord chain calculation program Rex®Drive.

\*The temperature range can be extended by using special high- or low-temperature lubricants.

## Overview Rexnord roller chains

### Roller Chains



**REXNORD**

**RexPro**  
RexPro lubrication  
improved wear resistance  
high fatigue resistance

- Outstanding protection against corrosion and wear
- Unique protection against chain joint stiffness
- Extremely eco-friendly

**REXNORD**

**RexAthletic**  
good loading capacity  
extended lubrication intervals

- Durable and low-maintenance
- Longer servicing intervals
- High loading capacity

**REXNORD**

**RexCarbon**  
no lubrication  
low noise

- Maintenance-free
- Low noise
- Eco-friendly

**REXNORD**

**RexPlus**  
excellent corrosion resistance  
high reliability

- Excellent resistance to rust and acids
- Highly reliable
- Fulfills hygiene requirements
- NSF H1 certification

**REXNORD**

**RexPlusCarbon**  
no lubrication  
excellent corrosion resistance

- Combination of RexPlus and RexCarbon
- Excellent resistance to rust and acids
- Maintenance-free
- NSF H1 certification

**REXNORD**

**RexHiPro**  
good corrosion resistance  
excellent loading capacity

- Outstanding corrosion resistance
- Long service life
- High loading capacity

**Link-Belt**  
a brand of REXNORD

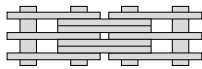
- The optimum choice for light and medium duty
- Good cost-benefit ratio
- High availability

**REXNORD**

**RexProX**  
RexPro lubrication  
improved wear resistance  
high fatigue resistance

- Extremely high loading capacity
- Long service life
- Outstanding protection against corrosion and wear

### Leaf Chains



**REXNORD**

**RexPro**  
RexPro lubrication  
improved wear resistance  
high fatigue resistance

- Outstanding protection against corrosion and wear
- Unique protection against chain joint stiffness
- Extremely eco-friendly

**REXNORD**

**RexHiPro**  
good corrosion resistance  
excellent loading capacity

- Outstanding corrosion resistance
- Long service life
- High loading capacity

**REXNORD**

**RexAthletic**  
good loading capacity  
extended lubrication intervals

- Durable and low-maintenance
- Longer servicing intervals
- High loading capacity

**REXDL**  
a brand of REXNORD

- The optimum choice for light and medium duty
- Good cost-benefit ratio
- Good availability