



Extreme Performance from Rexnord

RexCarbon

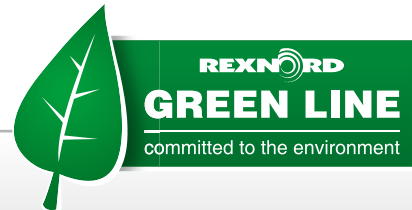
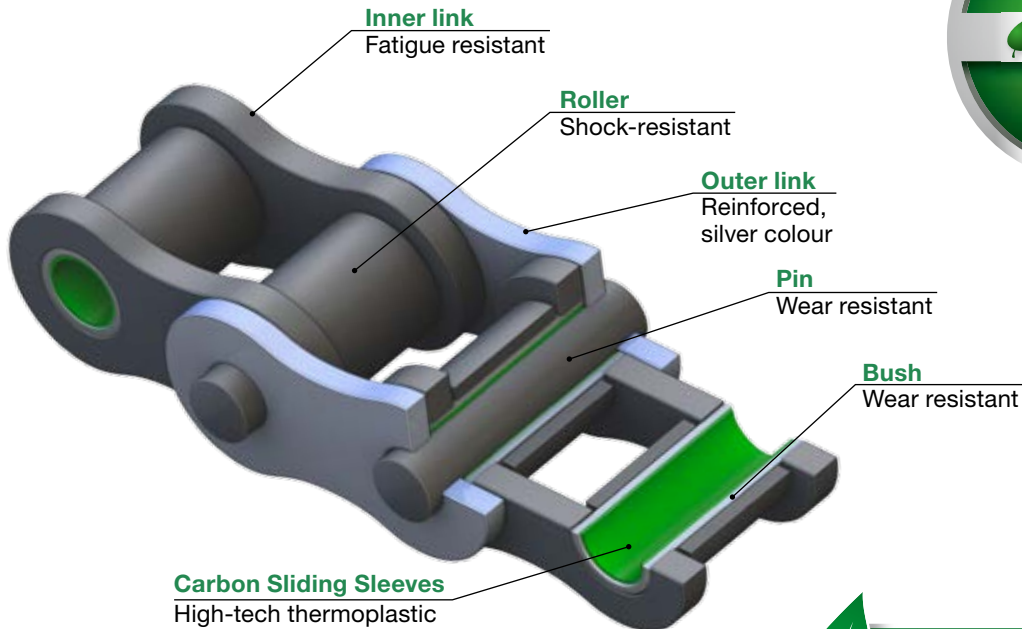
REXNORD

RexCarbon
no lubrication
low noise



RexCarbon

Extreme Performance from Rexnord.



APPLICATION

- When relubrication is restricted or impossible
- For medium loading under difficult conditions
- Also suitable for sensitive environments

CHARACTERISTICS

- High wear resistance, 18 times better than the previous model
- High-tech carbon sliding sleeves
- Extremely robust
- NSF H1 certification
- Low-friction chain bearing

ADVANTAGES

- Extremely long service life, even without relubrication
- Maintenance-free = no machine downtime
- No lubricant necessary = no contamination of conveyed goods or surrounding area
- Low noise and eco-friendly
- Added safety: no risk of fire from oil or grease deposits
- high energy efficiency

VERSIONS

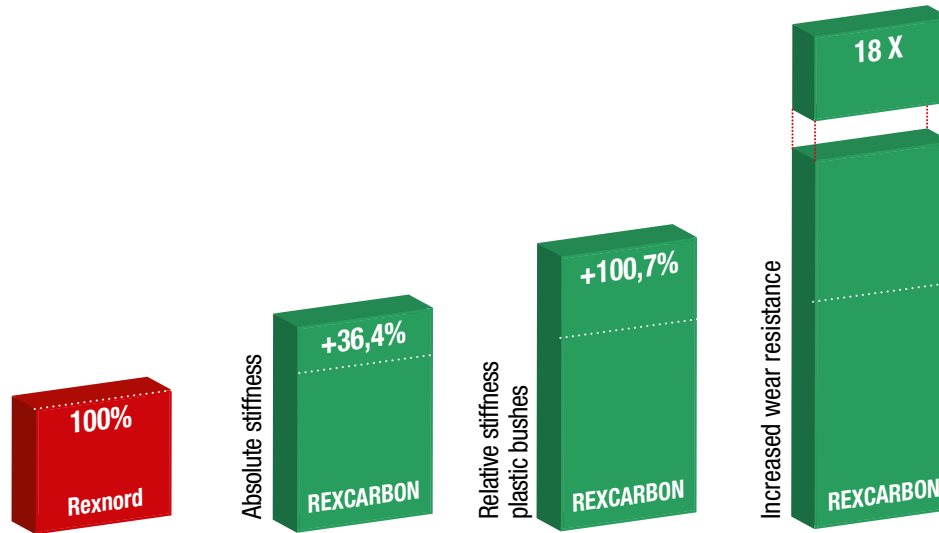
- 08 B only available with curved link plate
- Also suitable as multiplex chain
- Special versions suitable for temperatures up to +175°C

LUBRICATION

- With food-grade lubricant
- Temperature range from -40°C to +100°C

RexCarbon in comparison

RexCarbon chains are extremely wear resistant - 18 times higher wear resistance than the previous model.



Recommended chain tractive power for appropriate speeds

Chain type	temperature range from -40° C to +80° C admissible tractive power for				temperature range +80° C to +100° C admissible tractive power for	
	N	N	N	N	N	N
	up to 0,5 m/s	up to 1,0 m/s	up to 1,5 m/s	up to 2,0 m/s	up to 0,5 m/s	up to 1,0 m/s
08 B - 1 CB **	850	750	650	500	680	600
10 B - 1 CB GL	1100	1000	900	670	880	800
12 B - 1 CB GL *	1500	1300	1100	890	1200	1040
16 B - 1 CB GL *	3500	3100	2700	2100	2800	2480
08 B - 2 CB **	1500	1300	1100	900	1200	1000
10 B - 2 CB GL	1900	1800	1600	1200	1500	1400
12 B - 2 CB GL *	2600	2300	1900	1600	2100	1800
16 B - 2 CB GL *	6100	5400	4700	3700	4900	4300

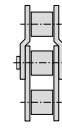
*) suitable for temperatures up to 175° C

***) only with curved link plate



RexCarbon - European Standard

Extreme Performance from Rexnord.



Simplex roller chains



Applications & Characteristics

- Ideal for critical conditions
- High wear resistance



Maintenance & Service life

- Maintenance-free
- Extremely long service life



Eco-friendly

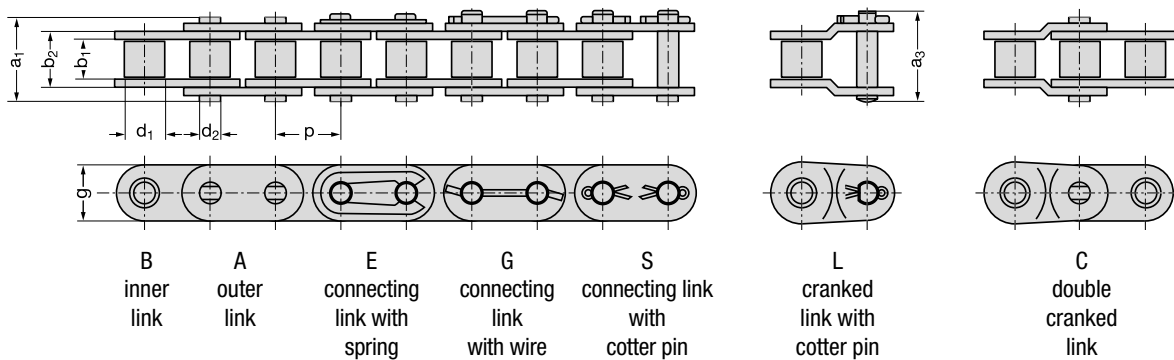
- No relubrication necessary
- Low noise
- NSF H1 certification

RexCarbon-Simplex roller chains, ISO 606 / DIN 8187

Chain No.	Pitch		Width between inner plates		Roller diameter	Pin diameter	Width over inner link	Plate depth	Transverse pitch	Pin length	Connecting pin length	Bearing area	Average tensile strength	Weight	Loose parts			
	inch	mm	b ₁ min	d ₁ max	d ₂ max	b ₂ max	g max	e	a ₁ max	a ₃ max	A	F _u	q	A	B	C	E	
			mm	mm	mm	mm	mm	mm	mm	mm	mm	cm ²	N	kg/m				
08 B - 1 CB **	0.50	12.7	7.75	8.51	4.45	11.30	12.0	-	17.0	19.0	0.50	17 000	0.7	x	x		x	
10 B - 1 CB GL	0.625	15.875	9.65	10.16	5.08	13.28	13.9	-	18.9	22.0	0.67	22 500	0.9	x	x		x	
12 B - 1 CB GL *	0.75	19.05	11.68	12.07	5.72	15.62	15.9	-	22.3	25.1	0.89	31 500	1.2	x	x		x	
16 B - 1 CB GL *	1.00	25.4	17.02	15.88	8.28	25.40	20.3	-	35.4	42.4	2.10	64 500	2.6	x	x		x	

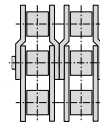
*) suitable for temperatures up to 175° C

***) only with curved link plate



RexCarbon - European Standard

Extreme Performance from Rexnord.



Duplex roller chains



Applications & Characteristics

- Ideal for critical conditions
- High wear resistance



Maintenance & Service life

- Maintenance-free
- Extremely long service life



Eco-friendly

- No relubrication necessary
- Low noise
- NSF H1 certification

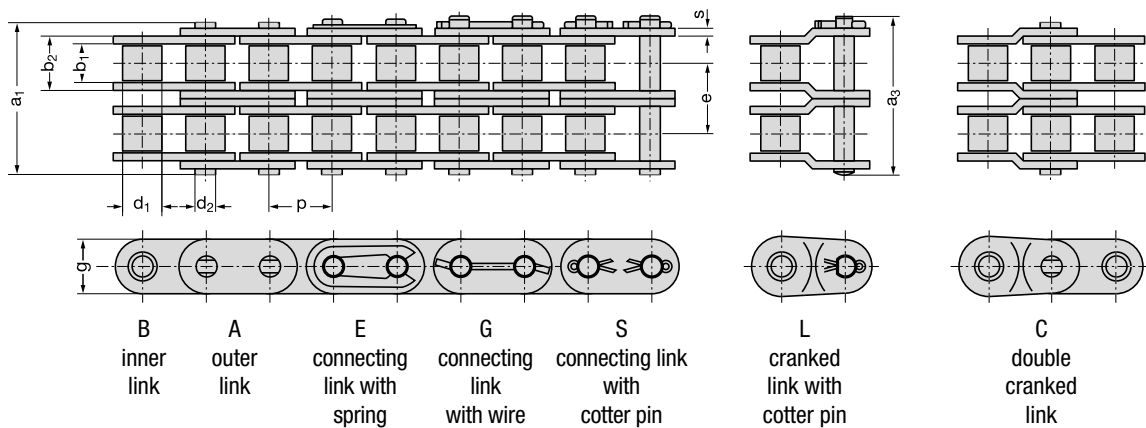


RexCarbon-Duplex roller chains, ISO 606 / DIN 8187

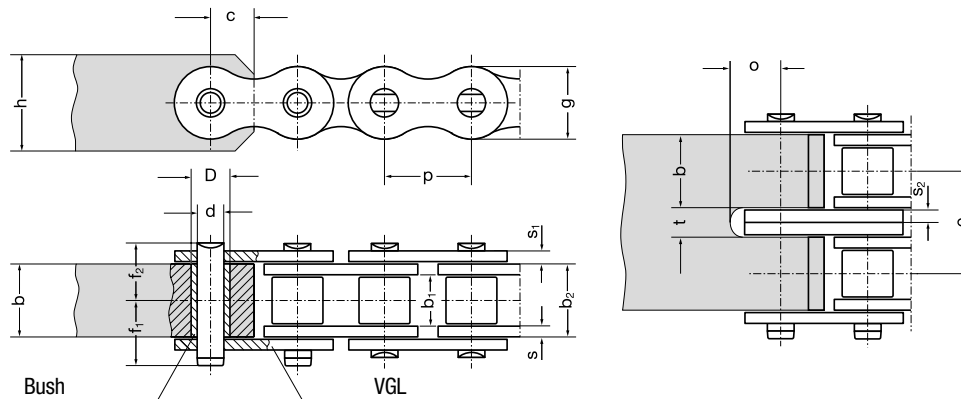
Chain No.	Pitch		Width between inner plates	Roller diameter	Pin diameter	Width over inner link	Plate depth	Transverse pitch	Pin length	Connecting pin length	Bearing area	Average tensile strength	Weight	Loose parts			
	p													b ₁ min	d ₁ max	d ₂ max	b ₂ max
	inch	mm	mm	mm	mm	mm	mm	mm	mm	mm	mm	cm ²	N	kg/m			
08 B - 2 CB **	0.50	12.7	7.75	8.51	4.45	11.30	11.6	13.92	30.6	33.0	1.01	31 500	1.4	x	x		x
10 B - 2 CB GL	0.625	15.875	9.65	10.16	5.08	13.28	14.6	16.59	35.5	38.6	1.34	45 000	1.8	x	x		x
12 B - 2 CB GL*	0.75	19.05	11.68	12.07	5.72	15.62	15.9	19.46	41.7	44.4	1.79	63 000	2.3	x	x		x
16 B - 2 CB GL*	1.00	25.4	17.02	15.88	8.28	25.40	20.5	31.88	67.4	74.0	4.21	118 500	5.3	x	x		x

*) suitable for temperatures up to 175° C

***) only with curved link plate



Connecting dimensions for roller chains, European and American types



- Required material hardness of fixing elements: at least 490 N/mm²
- To increase wear resistance, fit a bush (surface hardness rating approx. 60 HRC) to the connecting element, if joint mobility is required at the connection point.
- Hardened bushes are not required in case of static loading
- Please order bushes using the corresponding bush part no.
- The bush bore diameters d^{C10} result from press-fitting in bore diameter D^{S7}
- If no bushes are fitted, the bore d^{C10} is inserted directly into the connection element

Connecting dimensions for roller chains, European type, ISO 606 / DIN 8187

Chain no.	Pitch		Width between inner plates		Width over inner link		Plate thickness				Bore \emptyset								Bush part no.
	p		b ₁ min	b ₂ max	s	s ₁	s ₂	g max	e	f ₁	f ₂	h	b max	c	d ^{C10}	D ^{S7}	t	o	
	inch	mm	mm	mm	mm	mm	mm	mm	mm	mm	mm	mm	mm	mm	mm	mm	mm	mm	
08 B	0.50	12.70	7.75	11.30	1.70	1.70	1.25	11.60	13.92	10.30	8.40	11	11.20	6.0	4.45	6.27	2.7	7.5	001544
10 B	0.625	15.875	9.65	13.28	1.70	1.50	1.50	14.60	16.59	11.30	9.40	13	13.20	7.5	5.08	7.00	3.2	8.0	001543
12 B	0.75	19.05	11.68	15.62	1.80	1.80	1.80	15.90	19.46	13.20	11.10	16	15.60	10.0	5.72	8.40	3.8	9.5	001542
16 B	1.00	25.40	17.02	25.40	3.75	3.05	3.05	20.50	31.88	21.60	17.70	20	25.40	14.0	8.28	11.70	6.4	13.0	001541
20 B	1.25	31.75	19.56	29.00	4.50	4.50	3.50	25.70	36.45	24.10	20.20	26	29.00	16.5	10.19	14.00	7.4	16.5	001449
24 B	1.50	38.10	25.40	37.90	5.80	5.00	5.00	33.00	48.36	31.60	26.90	33	37.90	19.5	14.63	18.99	10.6	20.0	001540
28 B	1.75	44.45	30.99	46.50	6.50	5.50	6.00	37.00	59.56	36.60	31.60	36	46.50	23.0	15.90	21.64	12.6	24.0	001539
32 B	2.00	50.80	30.99	45.50	6.30	6.30	6.30	41.20	58.55	38.40	32.50	42	45.50	27.0	17.81	23.12	13.2	27.0	001538
40 B	2.50	63.50	38.10	55.70	8.50	8.00	8.00	51.50	72.29	47.50	39.40	52	55.70	35.0	22.89	29.18	16.6	35.0	017776
48 B	3.00	76.20	45.72	70.50	12.00	10.00	10.00	63.50	91.21	56.00	49.20	64	70.50	40.0	29.24	37.90	20.6	40.0	001535
56 B	3.50	88.90	53.34	81.30	13.60	12.00	12.00	77.00	106.60	64.80	57.80	77	81.30	45.0	34.32	43.50	25.0	51.0	001536

Connecting dimensions for roller chains, American type, ISO 606 / DIN 8188

Chain no.	Pitch		Width between inner plates		Width over inner link		Plate thickness				Bore \emptyset								Bush part no.
	p		b ₁ min	b ₂ max	s	s ₁	g max	e	f ₁	f ₂	h	b max	c	d ^{C10}	D ^{S7}	t	o		
	inch	mm	mm	mm	mm	mm	mm	mm	mm	mm	mm	mm	mm	mm	mm	mm	mm		
40	0.50	12.70	7.85	11.15	1.50	1.50	11.60	14.38	11.2	8.1	11	11.10	6.0	3.96	5.98	3.2	7.0	001544	
50	0.625	15.875	9.40	13.80	2.00	2.00	14.60	18.11	12.0	10.2	13	13.80	7.7	5.08	7.65	4.2	9.0	001543	
50	0.75	19.05	12.57	17.70	2.40	2.40	17.60	22.78	14.4	12.8	16	17.60	9.0	5.94	9.00	5.0	10.0	001542	
80	1.00	25.40	18.75	22.50	3.05	3.05	23.50	29.29	20.4	16.5	22	22.30	12.0	7.92	11.67	6.8	14.0	001541	
100	1.25	31.75	18.98	27.40	4.00	4.00	28.70	35.76	23.7	19.7	26	27.40	15.5	9.53	13.82	8.4	17.5	001449	
120	1.50	38.10	25.22	35.30	4.70	4.70	34.40	45.44	30.0	24.9	30	35.20	18.5	11.10	16.13	9.8	20.0	001540	
140	1.75	44.45	25.22	37.00	5.50	5.50	40.80	48.87	31.6	26.7	36	37.00	21.5	12.70	18.29	11.6	23.5	001539	
160	2.00	50.80	31.55	45.00	6.30	6.30	47.80	58.55	36.4	31.8	42	44.70	24.0	14.27	20.70	13.2	27.5	001538	
180	2.25	57.15	35.72	50.50	7.00	7.00	54.00	65.35	41.4	35.7	47	50.60	27.0	17.46	25.35	14.6	32.0	017776	
200	2.50	63.50	37.85	54.70	8.00	8.00	60.00	71.55	45.0	39.0	52	54.60	30.0	19.84	28.38	16.6	34.5	001535	
240	3.00	76.20	47.35	67.50	9.50	9.50	70.00	87.33	55.5	47.4	62	67.50	37.0	23.80	34.28	19.6	41.0	001536	

MODULE_03/GB/2014/02 // No liability accepted for misprints or errors!

Extreme Performance from Rexnord

Expert chains with innovative technology and materials:

- Stainless steel
- Seamless rollers
- High-tech carbon sliding sleeves
- Food-grade lubricants
- Alloy surfaces
- Anti-friction coatings



	RexAthletic	RexCarbon	RexPlus	RexPlusCarbon	RexHiPro	RexProX
--	-------------	-----------	---------	---------------	----------	---------

Chain characteristics

Chain size	0,5" to 2"	0,5" to 1"	0,5" to 1"	0,5" to 1"	0,5" to 2"	0,5" to 2"
Maintenance level	low	zero	normal	zero	normal	low
Fatigue resistance	100%	100%	60%	60%	100%	100%
Tensile strength	100%	100%	60%	60%	100%	100%
Specific bearing load	100%	50%	50%	50%	100%	100%
Chain speed	up to 20 m/s	up to 20 m/s	up to 4 m/s	up to 2 m/s	up to 20 m/s	up to 20 m/s
Rust and acid resistant	no	no	damp	damp	partly	no

Environmental conditions

Temperature range	0° C to 120° C *	-40° C to 100° C *	-40° C to 120° C *	-40° C to 100° C *	-30° C to 130° C *	0° C to 120° C *
Damp, corrosive atmosphere	partly	partly	damp	damp	damp	partly
Dusty	partly	damp	damp	damp	partly	partly
Hygienic	NSF H2	NSF H1	NSF H1	NSF H1	NSF H2	NSF H2

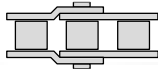
An appropriate lubrication method should be selected, depending on chain speed.

These guideline values are valid for shock-free loading, a shaft centre distance of 40 x pitch, with the chain running over two sprockets and a number of teeth z1 = 21; z2 = 42. Other drive parameters can be determined using the Rexnord chain calculation program Rex®Drive.

*The temperature range can be extended by using special high- or low-temperature lubricants.

Overview Rexnord roller chains

Roller Chains



REXNORD

RexPro
RexPro lubrication
improved wear resistance
high fatigue resistance

- Outstanding protection against corrosion and wear
- Unique protection against chain joint stiffness
- Extremely eco-friendly

REXNORD

RexAthletic
good loading capacity
extended lubrication intervals

- Durable and low-maintenance
- Longer servicing intervals
- High loading capacity

REXNORD

RexCarbon
no lubrication
low noise

- Maintenance-free
- Low noise
- Eco-friendly

REXNORD

RexPlus
excellent corrosion resistance
high reliability

- Excellent resistance to rust and acids
- Highly reliable
- Fulfills hygiene requirements
- NSF H1 certification

REXNORD

RexPlusCarbon
no lubrication
excellent corrosion resistance

- Combination of RexPlus and RexCarbon
- Excellent resistance to rust and acids
- Maintenance-free
- NSF H1 certification

REXNORD

RexHiPro
good corrosion resistance
excellent loading capacity

- Outstanding corrosion resistance
- Long service life
- High loading capacity

Link-Belt
a brand of REXNORD

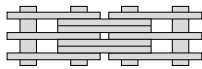
- The optimum choice for light and medium duty
- Good cost-benefit ratio
- High availability

REXNORD

RexProX
RexPro lubrication
improved wear resistance
high fatigue resistance

- Extremely high loading capacity
- Long service life
- Outstanding protection against corrosion and wear

Leaf Chains



REXNORD

RexPro
RexPro lubrication
improved wear resistance
high fatigue resistance

- Outstanding protection against corrosion and wear
- Unique protection against chain joint stiffness
- Extremely eco-friendly

REXNORD

RexHiPro
good corrosion resistance
excellent loading capacity

- Outstanding corrosion resistance
- Long service life
- High loading capacity

REXNORD

RexAthletic
good loading capacity
extended lubrication intervals

- Durable and low-maintenance
- Longer servicing intervals
- High loading capacity

REXDL
a brand of REXNORD

- The optimum choice for light and medium duty
- Good cost-benefit ratio
- Good availability