



High Performance from Rexnord

Leaf chains | F Series | European type

REXNORD

RexPro
RexPro lubrication
improved wear resistance
high fatigue resistance

kg

Shield icon

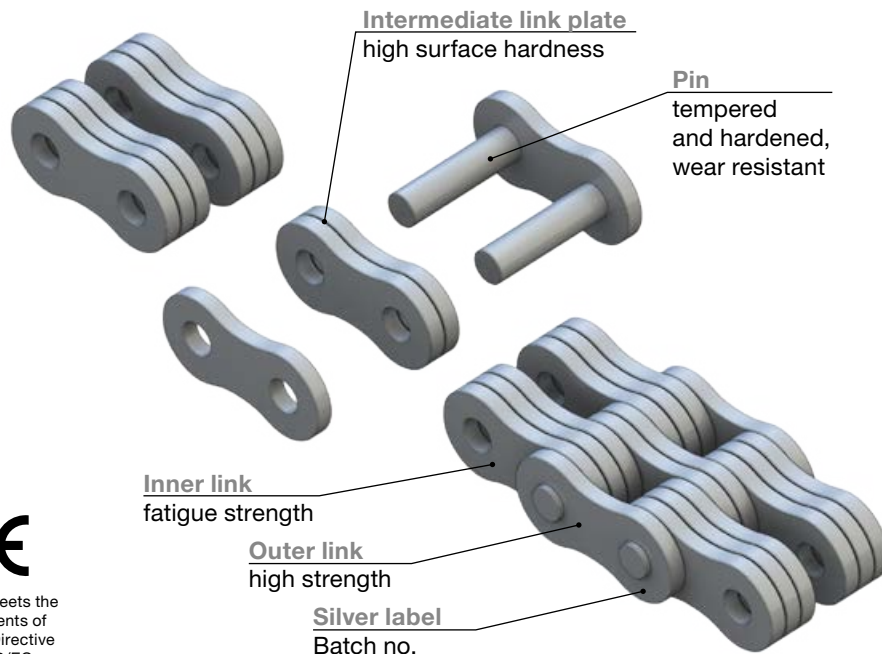
Puzzle piece icon

kg



Leaf chains - European type

High Performance from Rexnord.



Rexnord meets the requirements of Machine Directive 2006/42/EC

APPLICATIONS

- Forklift trucks, telehandlers
- Material handling
- Machine tools

CHARACTERISTICS

- Improved protection against chain joint stiffness
- Improved wear resistance
- Excellent corrosion resistance
- Very eco-friendly
- Made from high-quality materials
- Ball-drifted plate holes
- "Silver label" batch number for better traceability
- Shot-peened pins and link plates
- NSF H2 certification, RoHS:2005 conformity

ADVANTAGES

- Minimal running-in elongation
- Long service lifespan
- Extremely shock resistant
- Very robust, even in difficult conditions
- Maximum operating reliability
- Improved cost-effectiveness

LUBRICATION

- RexPro lubricants without heavy metals for outstanding protection
- Operating temperature: -30° C to +130° C (can be extended to -40° C to +250° C)
- Very good surface adhesion; drip-resistant even at high temperatures
- No heavy metals, Teflon- and silicone-free

RexPro - Leaf chains - High performance from Rexnord



Excellent Corrosion Protection

- 8-10 times better than the best competitors
- More than 100% better in the buckling test
- Highly versatile, also suitable for aggressive environments



Improved Wear Resistance

- 8-12% improvement in comparison to predecessor
- Great protection through RexPro lubrication
- Long working life
- High operating reliability



High Fatigue Resistance

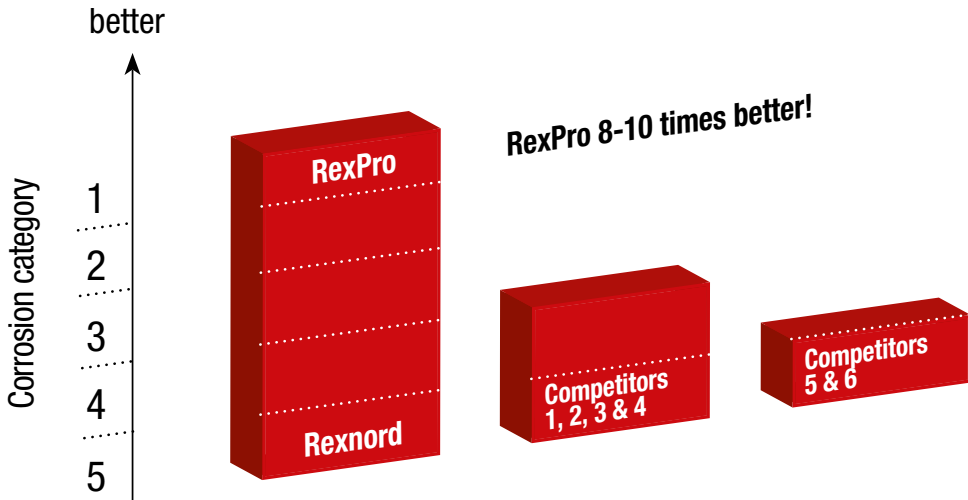
- Ball-drifted plate holes
- Shot-peened chain links
- High pre-loading



Eco friendly

- Through RexPro lubrication
- No heavy metals; Teflon- and silicone-free
- Environmental management system conforms to DIN EN ISO 14001

Salt spray test in accordance with DIN EN ISO 9227



Rexnord meets the requirements of Machine Directive 2006/42/EC

Leaf chains F Series - European type

High Performance from Rexnord.



Rexnord meets the requirements of
Machine Directive 2006/42/EC



Excellent Corrosion Protection

- 8-10 times better than the best competitors
- More than 100% better in the buckling test
- Highly versatile, also suitable for aggressive environments



Improved Wear Resistance

- 8-12% improvement in comparison to predecessor
- Great protection through RexPro lubrication
- Long working life
- High operating reliability



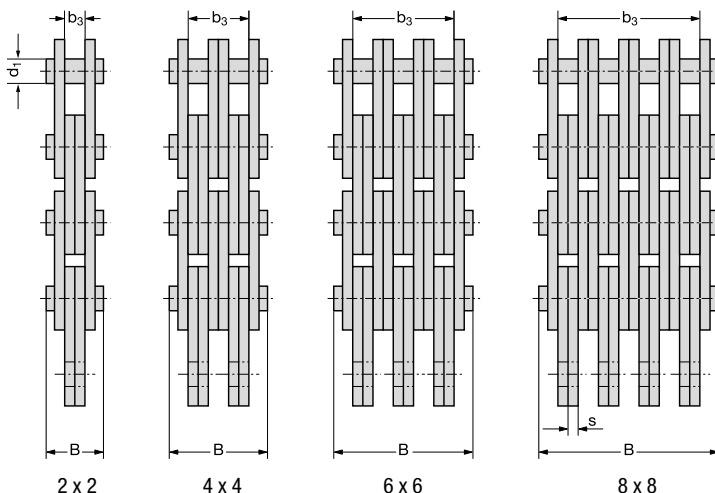
High Fatigue Resistance

- Ball-drifted plate holes
- Shot-peened chain links
- High pre-loading

Table 1 of 2

Leaf chains DIN ISO 4347 (DIN 8152)

Chain No.	ISO chain number	Pitch		Lacing	Pin diameter	Plate depth	Thickness of plates	Length over 100 pitches	Overall width	Bearing area	Width between outer plates	Required min. tensile strength ISO	Rexnord min. tensile strength	Fatigue strength	Weight	
		p														
		inch	mm													
F 12-44	LL 0844	0.50	12.7	4 x 4	4.45	10.4	1.5	1277	15.0	0.27	9.1	36 000	36 400	5 000	0.9	
F 12-66	LL 0866			6 x 6												7 000
F 15-44	LL 1044	0.625	15.875	4 x 4	5.08	12.8	1.5	1596	15.2	0.30	9.6	44 000	48 000	6 800	1.0	
F 15-66	LL 1066			6 x 6												8 800
F 19-44	LL 1244	0.75	19.05	4 x 4	5.72	15.9	1.8	1894	18.0	0.41	11.4	58 000	64 000	9 500	1.4	
F 19-66	LL 1266			6 x 6												12 000
F 25-44	LL 1644	1.00	25.4	4 x 4	8.28	20.5	3.0	2540	28.5	0.99	18.6	120 000	140 000	25 000	2.9	
F 25-66	LL 1666			6 x 6												30 000
F 25-88	LL 1688			8 x 8												58 000
F 31-44	LL 2044	1.25	31.75	4 x 4	10.19	25.7	3.5	3160	33.7	1.42	21.6	190 000	200 000	32 400	4.3	
F 31-66	LL 2066			6 x 6												37 500
F 31-88	LL 2088			8 x 8												40 000
F 38-44	LL 2444	1.50	38.1	4 x 4	14.63	33.0	5.0	3795	46.9	2.91	31.2	340 000	340 000	34 000	8.2	
F 38-66	LL 2466			6 x 6												51 000
F 38-88	LL 2488			8 x 8												68 000



Leaf chains F Series - European type

High Performance from Rexnord.



Excellent Corrosion Protection

- 8-10 times better than the best competitors
- More than 100% better in the buckling test
- Highly versatile, also suitable for aggressive environments



Improved Wear Resistance

- 8-12% improvement in comparison to predecessor
- Great protection through RexPro lubrication
- Long working life
- High operating reliability



High Fatigue Resistance

- Ball-drifted plate holes
- Shot-peened chain links
- High pre-loading



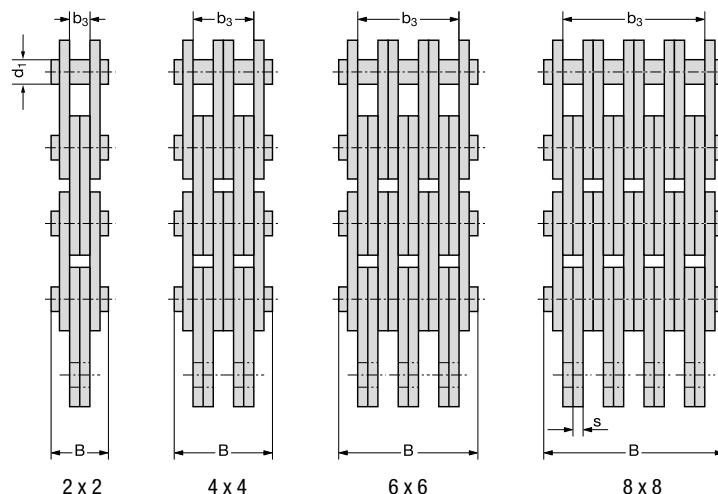
Rexnord meets the requirements of Machine Directive 2006/42/EC

Table 2 of 2

Leaf chains DIN ISO 4347 (DIN 8152)

Chain No.	ISO chain number	Pitch		Lacing	Pin diameter	Plate depth	Thickness of plates	Length over 100 pitches	Overall width	Bearing area	Width between outer plates	Required min. tensile strength ISO	Rexnord min. tensile strength	Fatigue strength	Weight
		p													
		inch	mm												
ISO/DIN	inch	mm		d ₁ max.	g	s	■	B max.	A	b ₃ min.	F _U	F _B	F _D	q	
				mm	mm	mm	mm	mm	cm ²	mm	N	N	N	kg/m	
F 44 - 22	LL 2822	1.75	44.45	2 x 2	15.9	36.0	6.0	4426	29.4	1.90	12.3*	200 000	215 000		5.2
F 44 - 44	LL 2844			4 x 4					54.7	3.80	36.8*	400 000	430 000		10.4
F 44 - 66	LL 2866			6 x 6					80.2	5.70	61.4*	600 000	645 000		15.6
F 44 - 88	LL 2888			8 x 8					105.4	7.60	86.5	800 000	860 000		20.8
F 50 - 22	LL 3222	2.00	50.8	2 x 2	17.81	41.2	6.3	5048	32.5	2.24	12.9	260 000	260 000		6.5
F 50 - 44	LL 3244			4 x 4					59.1	4.47	39.1	520 000	520 000		12.8
F 50 - 66	LL 3266			6 x 6					85.4	6.71	65.6	780 000	780 000		19.1
F 50 - 88	LL 3288			8 x 8					112.0	8.94	92.0	1 040 000	1 040 000		25.3
F 63 - 22	LL 4022	2.50	63.5	2 x 2	22.89	48.0	8.0	6320	39.5	3.65	16.3	360 000	360 000		9.2
F 63 - 44	LL 4044			4 x 4					73.1	7.30	49.4	720 000	720 000		17.7
F 63 - 66	LL 4066			6 x 6					106.5	10.9	82.7	1 080 000	1 080 000		26.9
F 63 - 88	LL 4088			8 x 8					139.9	14.6	116.0	1 440 000	1 440 000		35.1
F 76 - 22	LL 4822	3.00	76.2	2 x 2	29.24	62.0	10.0	7575	49.7	5.83	20.3	560 000	560 000		15.4
F 76 - 44	LL 4844			4 x 4					91.2	11.7	61.4	1 120 000	1 120 000		30.2
F 76 - 66	LL 4866			6 x 6					131.0	17.5	102.7	1 680 000	1 680 000		45.0
F 76 - 88	LL 4888			8 x 8					172.8	23.3	144.0	2 240 000	2 240 000		59.8

* Please contact Rexnord regarding precision of fit with ISO anchors

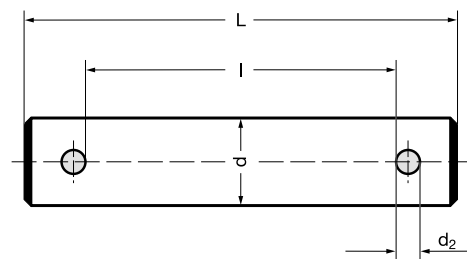
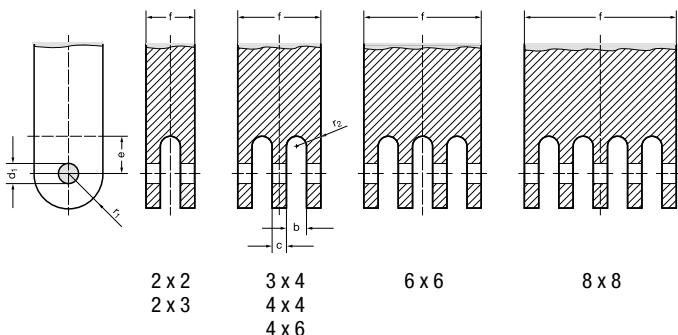


Recommended chain anchor dimensions for connecting leaf chain inner links

Chain No.	Inner link connector dimensions Dimensions in mm						
	f	b	c	d ₁	e	r ₁	r ₂
	max.	min.	max.	D 10	min.	max.	max.
F 12-44	15.9	3.5	3.0	4.5	7.3	6.5	1.7
F 12-66	22.9						
F 15-44	14.9	3.5	3.0	5.1	8.5	8.0	1.7
F 15-66	21.9						
F 19-44	17.5	4.1	3.6	5.75	10.0	9.5	1.7
F 19-66	24.6						
F 25-44	27.9	6.7	6.2	8.3	13.5	13.0	3.0
F 25-66	40.9						
F 25-88	53.9	7.5	7.0	10.2	17.0	16.5	3.5
F 31-44	32.9						
F 31-68	46.9	11.0	10.0	14.7	22.0	20.0	5.0
F 31-88	61.9						
F 38-44	48.0	13.6	12.6	17.9	28.0	27.0	6.0
F 38-66	69.0						
F 38-88	90.0	17.0	16.0	23.0	35.0	35.0	8.0
F 44-22	29.5						
F 44-44	54.8	21.0	20.0	29.3	45.0	40.0	10.0
F 44-66	80.0						
F 44-88	105.8	21.0	20.0	29.3	45.0	40.0	10.0
F 50-22	34.2						
F 50-44	59.7	21.0	20.0	29.3	45.0	40.0	10.0
F 50-66	86.2						
F 50-88	113.7	21.0	20.0	29.3	45.0	40.0	10.0
F 63-22	39.6						
F 63-44	73.0	21.0	20.0	29.3	45.0	40.0	10.0
F 63-66	106.3						
F 63-88	139.8	21.0	20.0	29.3	45.0	40.0	10.0
F 76-22	50.2						
F 76-44	91.2	21.0	20.0	29.3	45.0	40.0	10.0
F 76-66	133.2						
F 76-88	173.9						

Connecting pin for attaching leaf chains to chain anchor

Chain No.	Connecting pin order no.	Connecting pin dimensions Dimensions in mm			
		l min.	L max.	d max.	d ₂
		F 12-44	709-204-44	16.0	22.2
F 12-66	709-204-66	23.0	29.2		
F 15-44	709-205-44	15.0	21.1	5.08	1.6
F 15-66	709-205-66	22.0	28.2		
F 19-44	709-405-44	17.6	25.5	5.72	2.0
F 19-66	709-405-66	24.7	32.7		
F 25-44	709-208-44	28.0	38.7	8.28	3.2
F 25-66	709-208-66	41.0	51.7		
F 25-88	709-208-88	54.0	64.7	10.19	3.2
F 31-44	709-210-44	33.0	43.7		
F 31-68	709-210-66	47.0	57.7		
F 31-88	709-210-88	62.0	72.7	14.63	4.0
F 38-44	709-214-44	48.2	60.6		
F 38-66	709-214-66	69.2	81.6		
F 38-88	709-214-88	90.2	102.6	15.9	4.0
F 44-22	709-215-22	29.7	42.1		
F 44-44	709-215-44	55.0	67.5		
F 44-66	709-215-66	80.2	92.7	17.81	5.0
F 44-88	709-215-88	106.0	118.5		
F 50-22	709-217-22	34.4	51.9	22.89	6.3
F 50-44	709-217-44	59.9	77.5		
F 50-66	709-217-66	86.4	104.0		
F 50-88	709-217-88	113.9	131.5	29.23	6.3
F 63-22	709-222-22	39.9	60.8		
F 63-44	709-222-44	73.3	94.3		
F 63-66	709-222-66	106.6	127.6		
F 63-88	709-222-88	140.1	161.1	174.2	195.2
F 76-22	709-229-22	50.5	71.5		
F 76-44	709-229-44	91.5	112.5		
F 76-66	709-229-66	133.5	154.5		
F 76-88	709-229-88	174.2	195.2		



All pins are fitted with 2 cotters and – from BL 1234 and F 38 upwards – with 2 additional washers.

Leaf chain anchoring

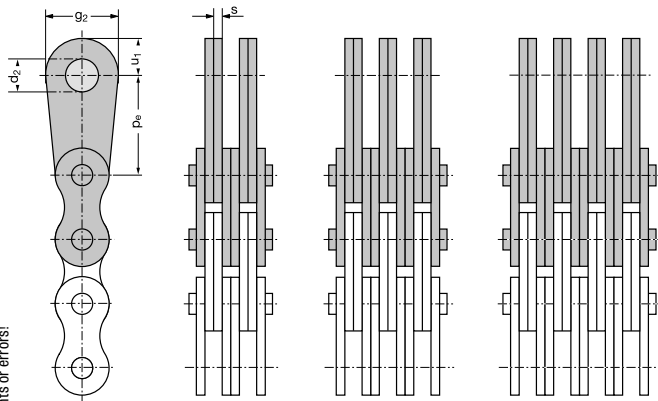
Chain No.	End link order no.		Dimensions in mm				
	IEG	AEG	Pe	d ₂ A11	g ₂	s	u ₁
F 15 - 44	170 - 115 - 44	45	20	8	18.0	1.5	11.0
F 15 - 66	170 - 115 - 66	65					
F 19 - 44	170 - 119 - 44		25	10	19.8	1.8	11.2
F 19 - 66	170 - 119 - 66						
F 25 - 44	170 - 124 - 44	45	30	12	25.0	3.0	15.0
F 25 - 66	170 - 124 - 66	65					
F 25 - 88	170 - 124 - 88	85					
F 31 - 44	170 - 131 - 44	45	50	18	40.0	3.5	25.0
F 31 - 66	170 - 131 - 66	65					
F 31 - 88	170 - 131 - 88	85					
F 38 - 44	170 - 138 - 44	45	65	24	50.0	5.0	29.0
F 38 - 66	170 - 138 - 66	65					
F 38 - 88	170 - 138 - 88	85					
F 44 - 22	170 - 144 - 22	25	80	28	60.0	6.0	32.0
F 44 - 44	170 - 144 - 44	45					
F 44 - 66	170 - 144 - 66	65					
F 50 - 22	170 - 150 - 22	25	90	32	70.0	6.3	43.0
F 50 - 88	170 - 150 - 88	85					
F 63 - 44	170 - 163 - 44	45	100	38	80.0	8.0	46.5
F 63 - 66	170 - 163 - 66	65					

End links are available as inner and outer links. Ordering example for end links to fit leaf chain F 38-44:

a) as IEG (inner end link): 170-138-44

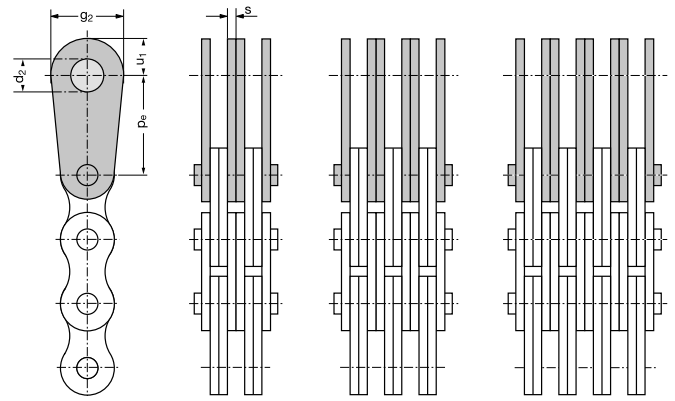
b) as AEG (outer end link): 170-138-45

End links as inner links (IEG)



Scope of delivery:
End links (pear-shaped) along with leaf chain
outer link supplied as a complete
ready-to-rivet sub-assembly.

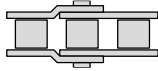
End links as outer links (AEG)



Scope of delivery:
End links (pear-shaped) and matching
ready-to-rivet pin.

Overview Rexnord roller chains

Roller Chains



REXNORD

RexPro
RexPro lubrication
improved wear resistance
high fatigue resistance

- Outstanding protection against corrosion and wear
- Unique protection against chain joint stiffness
- Extremely eco-friendly

REXNORD

RexAthletic
good loading capacity
extended lubrication intervals

- Durable and low-maintenance
- Longer servicing intervals
- High loading capacity

REXNORD

RexCarbon
no lubrication
low noise

- Maintenance-free
- Low noise
- Eco-friendly

REXNORD

RexPlus
excellent corrosion resistance
high reliability

- Excellent resistance to rust and acids
- Highly reliable
- Fulfills hygiene requirements
- NSF H1 certification

REXNORD

RexPlusCarbon
no lubrication
excellent corrosion resistance

- Combination of RexPlus and RexCarbon
- Excellent resistance to rust and acids
- Maintenance-free
- NSF H1 certification

REXNORD

RexHiPro
good corrosion resistance
excellent loading capacity

- Outstanding corrosion resistance
- Long service life
- High loading capacity

Link-Belt
a brand of REXNORD

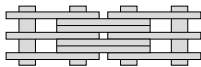
- The optimum choice for light and medium duty
- Good cost-benefit ratio
- High availability

REXNORD

RexProX
RexPro lubrication
improved wear resistance
high fatigue resistance

- Extremely high loading capacity
- Long service life
- Outstanding protection against corrosion and wear

Leaf Chains



REXNORD

RexPro
RexPro lubrication
improved wear resistance
high fatigue resistance

- Outstanding protection against corrosion and wear
- Unique protection against chain joint stiffness
- Extremely eco-friendly

REXNORD

RexHiPro
good corrosion resistance
excellent loading capacity

- Outstanding corrosion resistance
- Long service life
- High loading capacity

REXNORD

RexAthletic
good loading capacity
extended lubrication intervals

- Durable and low-maintenance
- Longer servicing intervals
- High loading capacity
- Extreme wear resistance for double-length service life

REXDL
a brand of REXNORD

- The optimum choice for light and medium duty
- Good cost-benefit ratio
- Good availability



High Performance from Rexnord

Leaf chains | Factory standard

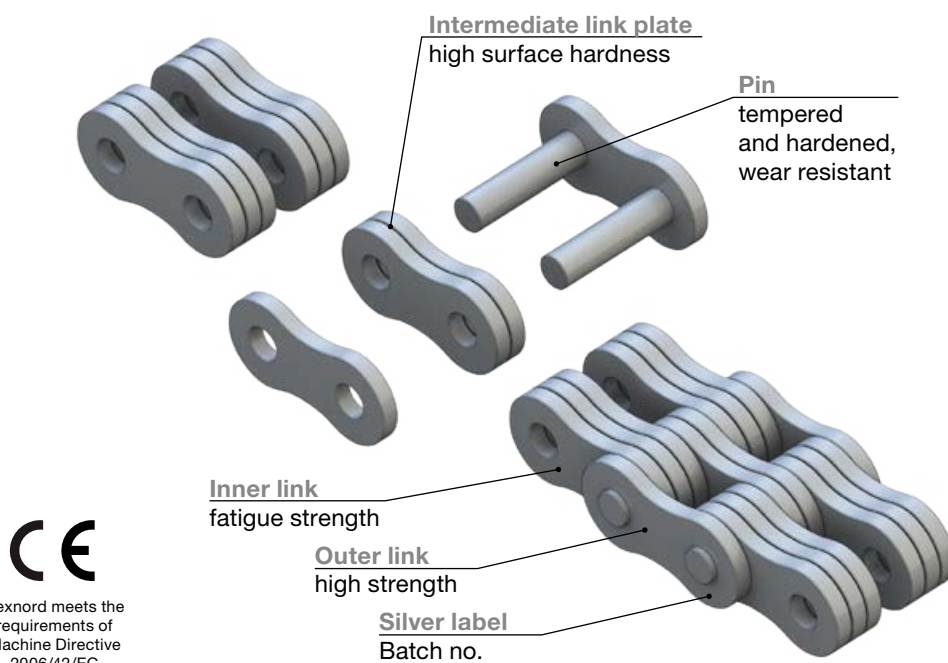
REXNORD

  **RexPro**
RexPro lubrication
improved wear resistance
high fatigue resistance



Leaf chains - Factory standard

High Performance from Rexnord.



APPLICATIONS

- Forklift trucks, telehandlers
- Material handling
- Machine tools

CHARACTERISTICS

- Improved protection against chain joint stiffness
- Improved wear resistance
- Excellent corrosion resistance
- Very eco-friendly
- Made from high-quality materials
- Ball-drifted plate holes
- "Silver label" batch number for better traceability
- Shot-peened pins and link plates
- NSF H2 certification, RoHS:2005 conformity

ADVANTAGES

- Minimal running-in elongation
- Long service lifespan
- Extremely shock resistant
- Very robust, even in difficult conditions
- Maximum operating reliability
- Improved cost-effectiveness

LUBRICATION

- RexPro lubricants without heavy metals for outstanding protection
- Operating temperature: -30° C to +130° C (can be extended to -40° C to +250° C)
- Very good surface adhesion; drip-resistant even at high temperatures
- No heavy metals, Teflon- and silicone-free

RexPro - Leaf chains - High performance from Rexnord



Excellent Corrosion Protection

- 8-10 times better than the best competitors
- More than 100% better in the buckling test
- Highly versatile, also suitable for aggressive environments



Improved Wear Resistance

- 8-12% improvement in comparison to predecessor
- Great protection through RexPro lubrication
- Long working life
- High operating reliability



High Fatigue Resistance

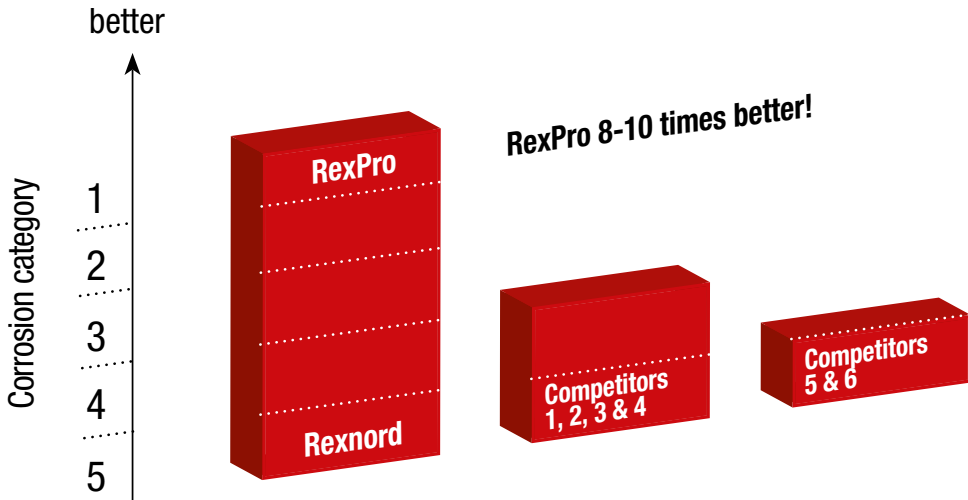
- Ball-drifted plate holes
- Shot-peened chain links
- High pre-loading



Eco friendly

- Through RexPro lubrication
- No heavy metals; Teflon- and silicone-free
- Environmental management system conforms to DIN EN ISO 14001

Salt spray test in accordance with DIN EN ISO 9227



Rexnord meets the requirements of Machine Directive 2006/42/EC

Leaf chains - Factory standard

High Performance from Rexnord.



Rexnord meets the requirements of Machine Directive 2006/42/EC



Excellent Corrosion Protection

- 8-10 times better than the best competitors
- More than 100% better in the buckling test
- Highly versatile, also suitable for aggressive environments



Improved Wear Resistance

- 8-12% improvement in comparison to predecessor
- Great protection through RexPro lubrication
- Long working life
- High operating reliability



High Fatigue strength

- Ball-drifted plate holes
- Shot-peened chain links
- High pre-loading

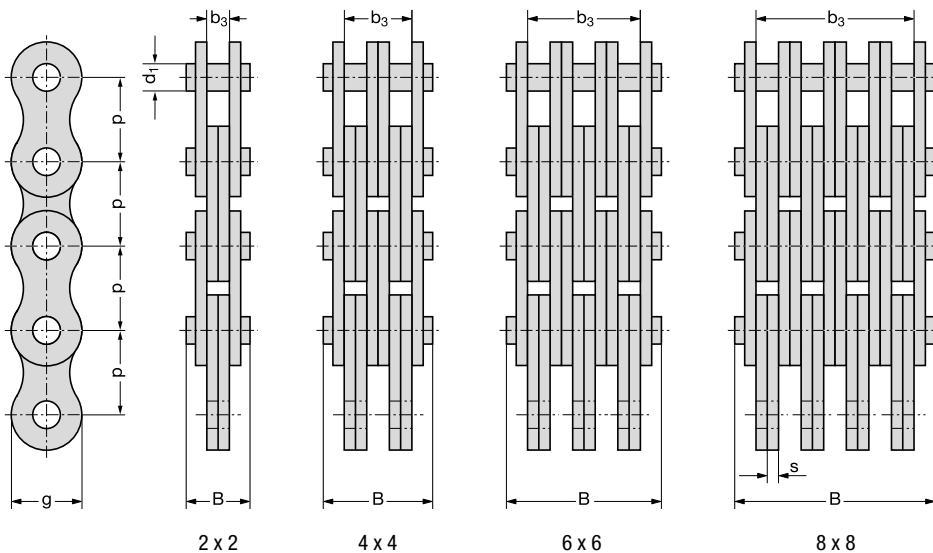


Eco friendly

- Through RexPro lubrication
- No heavy metals; Teflon- and silicone-free
- Environmental management system conforms to DIN EN ISO 14001

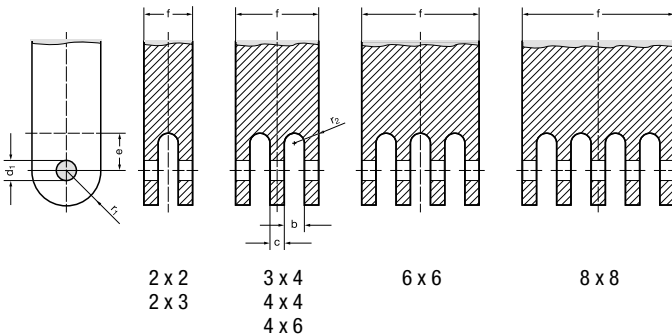
Leaf chains - Factory standard

Chain No.	ISO chain number	Pitch		Lacing	Pin diameter	Plate depth	Thickness of plates	Length over 100 pitches	Overall width	Bearing area	Rexnord min. tensile strength	Weight
		p										
		ISO/DIN	inch									
F 6 H - 5	-	0.625	15.875	2 x 3	4.75	14.6	2.5	1592	14.9	0.24	30 300	1.0
F 19 V - 44	-	0.75	19.05	4 x 4	6.50	15.2	2.35	1901	22.8	0.61	80 000	1.8
F 19 V - 66	-	0.75	19.05	6 x 6	6.50	15.2	2.35	1901	32.7	0.91	120 000	2.5
834 (SK 507)	-	1.00	25.4	3 x 4	10.85	23.4	IL /AL	2544	28.4	1.37	125 000	3.6
432 (SK 508)	-	1.00	25.4	6 x 6	10.85	23.4	3.05/4.0	2544	44.4	2.06	250 000	5.9



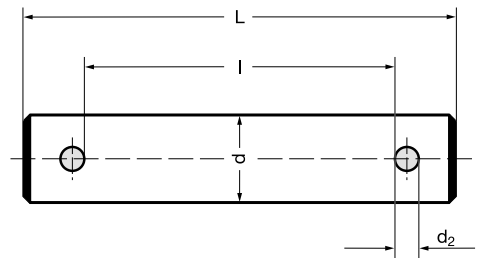
Recommended chain anchor dimensions for connecting leaf chain inner links

Chain No.	Inner link connector dimensions						
	f max.	b min.	c max.	d ₁ D 10	e min.	r ₁ max.	r ₂ max.
F 19 V - 44	22.9	5.2	4.7	6.6	10.0	10.5	2.0
F 19 V - 66	32.9						



Connecting pin for attaching leaf chains to chain anchor

Chain No.	Connecting pin order no.	Connecting pin dimensions Dimensions in mm			
		l min.	L max.	d max.	d ₂
F 19 V - 44	709 - 206 - 44	23.0	30.2	6.5	2.0
F 19 V - 66	709 - 206 - 66	33.0	40.3		



All pins are fitted with 2 cotters and – from BL 1234 and F 38 upwards – with 2 additional washers.

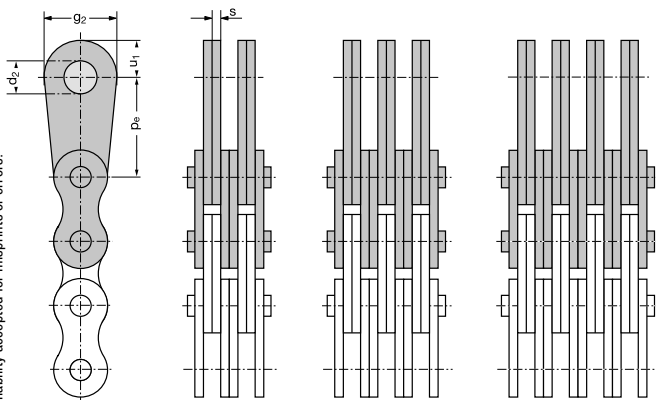
Leaf chain anchoring

Chain No.	End link order no.		Dimensions in mm				
	IEG	AEG	Pe	d ₂ A11	g ₂	s	u ₁
F 19 V - 44	170 - 120 - 44	45	25	10	19.8	1.8	11.2
F 19 V - 66	170 - 120 - 66	65					

End links are available as inner and outer links. Ordering example for end links to fit leaf chain F 19 V - 44:

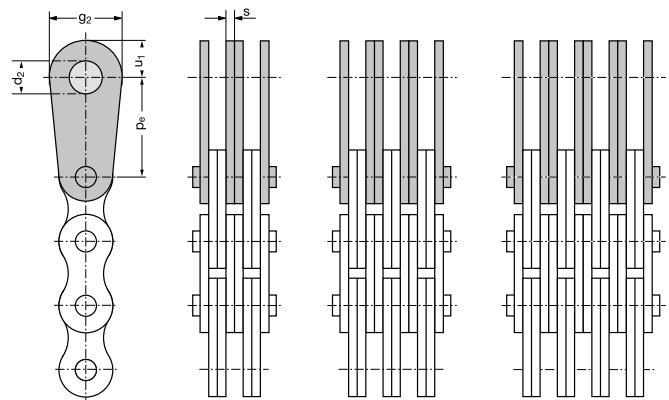
- a) as IEG (inner end link): 170-120-44 b) as AEG (outer end link): 170-120-45

End links as inner links (IEG)



Scope of delivery:
End links (pear-shaped) along with leaf chain
outer link supplied as a complete ready-to-rivet sub-assembly.

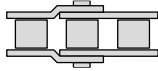
End links as outer links (AEG)



Scope of delivery:
End links (pear-shaped) and matching ready-to-rivet pin.

Overview Rexnord roller chains

Roller Chains



REXNORD

RexPro
RexPro lubrication
improved wear resistance
high fatigue resistance

- Outstanding protection against corrosion and wear
- Unique protection against chain joint stiffness
- Extremely eco-friendly

REXNORD

RexAthletic
good loading capacity
extended lubrication intervals

- Durable and low-maintenance
- Longer servicing intervals
- High loading capacity

REXNORD

RexCarbon
no lubrication
low noise

- Maintenance-free
- Low noise
- Eco-friendly

REXNORD

RexPlus
excellent corrosion resistance
high reliability

- Excellent resistance to rust and acids
- Highly reliable
- Fulfills hygiene requirements
- NSF H1 certification

REXNORD

RexPlusCarbon
no lubrication
excellent corrosion resistance

- Combination of RexPlus and RexCarbon
- Excellent resistance to rust and acids
- Maintenance-free
- NSF H1 certification

REXNORD

RexHiPro
good corrosion resistance
excellent loading capacity

- Outstanding corrosion resistance
- Long service life
- High loading capacity

Link-Belt
a brand of REXNORD

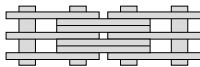
- The optimum choice for light and medium duty
- Good cost-benefit ratio
- High availability

REXNORD

RexProX
RexPro lubrication
improved wear resistance
high fatigue resistance

- Extremely high loading capacity
- Long service life
- Outstanding protection against corrosion and wear

Leaf Chains



REXNORD

RexPro
RexPro lubrication
improved wear resistance
high fatigue resistance

- Outstanding protection against corrosion and wear
- Unique protection against chain joint stiffness
- Extremely eco-friendly

REXNORD

RexHiPro
good corrosion resistance
excellent loading capacity

- Outstanding corrosion resistance
- Long service life
- High loading capacity

REXNORD

RexAthletic
good loading capacity
extended lubrication intervals

- Durable and low-maintenance
- Longer servicing intervals
- High loading capacity
- Extreme wear resistance for double-length service life

REXDL
a brand of REXNORD

- The optimum choice for light and medium duty
- Good cost-benefit ratio
- Good availability



High Performance from Rexnord

Leaf chains AL Series | American type

REXNORD

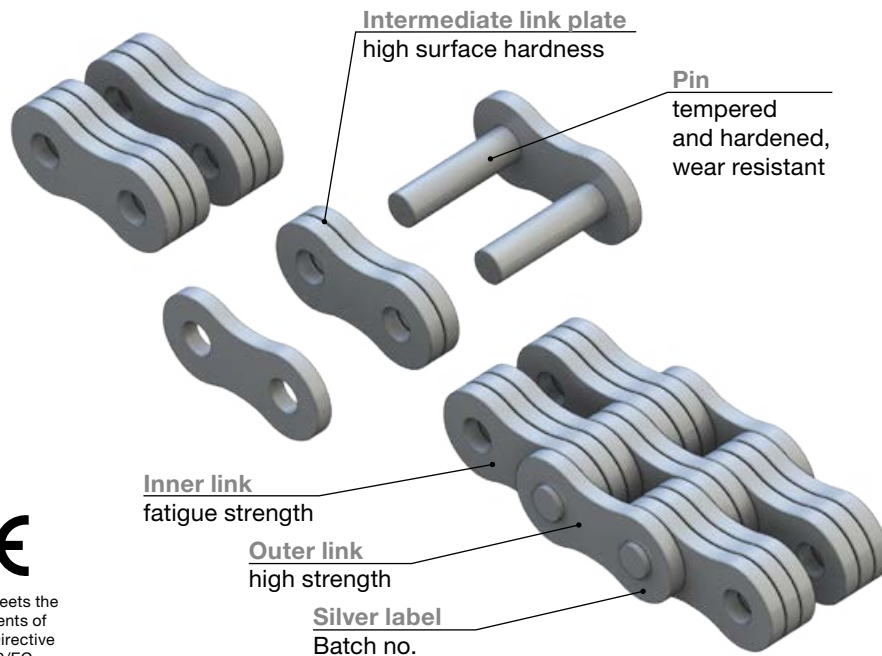
RexPro
RexPro lubrication
improved wear resistance
high fatigue resistance

kg



Leaf chains AL-Series - American type

High Performance from Rexnord.



Rexnord meets the requirements of Machine Directive 2006/42/EC

APPLICATIONS

- Forklift trucks, telehandlers
- Material handling
- Machine tools

CHARACTERISTICS

- Improved protection against chain joint stiffness
- Improved wear resistance
- Excellent corrosion resistance
- Very eco-friendly
- Made from high-quality materials
- Ball-drifted plate holes
- "Silver label" batch number for better traceability
- Shot-peened pins and link plates
- NSF H2 certification, RoHS:2005 conformity

ADVANTAGES

- Minimal running-in elongation
- Long service lifespan
- Extremely shock resistant
- Very robust, even in difficult conditions
- Maximum operating reliability
- Improved cost-effectiveness

LUBRICATION

- RexPro lubricants without heavy metals for outstanding protection
- Operating temperature: -30° C to +130° C (can be extended to -40° C to +250° C)
- Very good surface adhesion; drip-resistant even at high temperatures
- No heavy metals, Teflon- and silicone-free

RexPro - Leaf chains - High performance from Rexnord



Excellent Corrosion Protection

- 8-10 times better than the best competitors
- More than 100% better in the buckling test
- Highly versatile, also suitable for aggressive environments



Improved Wear Resistance

- 8-12% improvement in comparison to predecessor
- Great protection through RexPro lubrication
- Long working life
- High operating reliability



High Fatigue Resistance

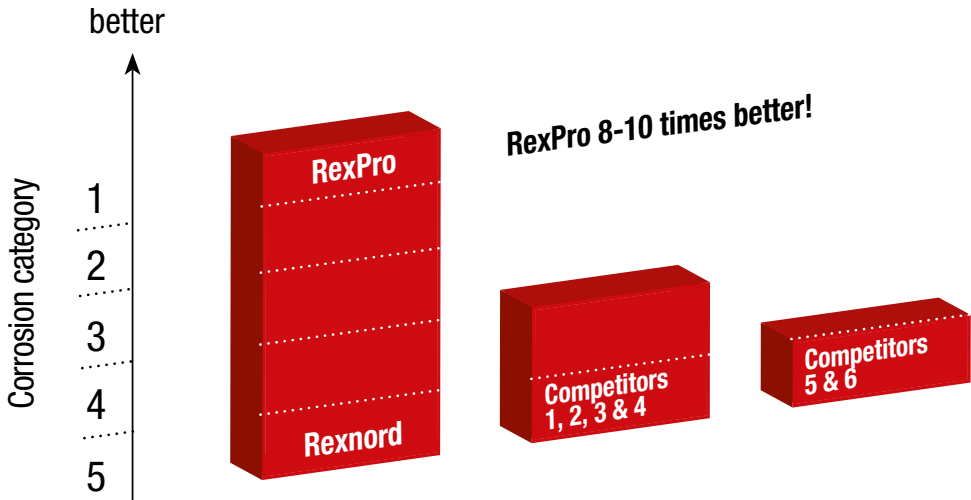
- Ball-drifted plate holes
- Shot-peened chain links
- High pre-loading



Eco friendly

- Through RexPro lubrication
- No heavy metals; Teflon- and silicone-free
- Environmental management system conforms to DIN EN ISO 14001

Salt spray test in accordance with DIN EN ISO 9227



Rexnord meets the requirements of Machine Directive 2006/42/EC

Leaf chains AL Series - American type, light series

High Performance from Rexnord.



Rexnord meets the requirements of Machine Directive 2006/42/EC



Excellent Corrosion Protection

- 8-10 times better than the best competitors
- More than 100% better in the buckling test
- Highly versatile, also suitable for aggressive environments



Improved Wear Resistance

- 8-12% improvement in comparison to predecessor
- Great protection through RexPro lubrication
- Long working life
- High operating reliability



High Fatigue Resistance

- Ball-drifted plate holes
- Shot-peened chain links
- High pre-loading



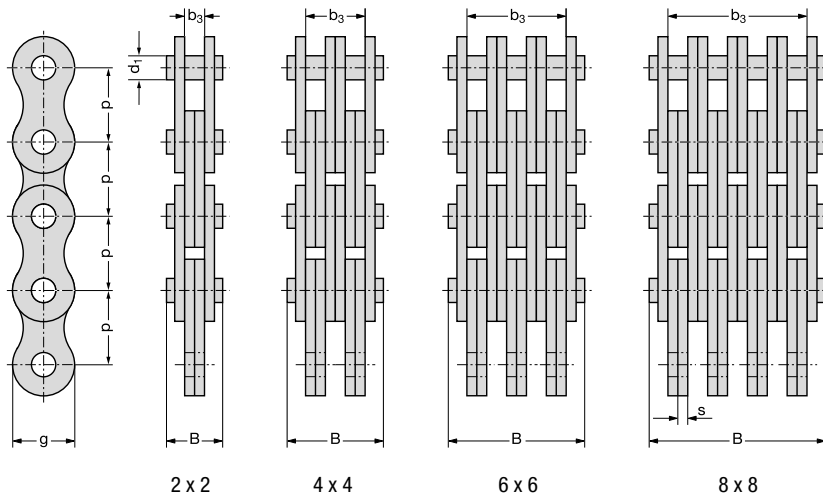
Eco friendly

- Through RexPro lubrication
- No heavy metals; Teflon- and silicone-free
- Environmental management system conforms to DIN EN ISO 14001

Table 1 of 2

Leaf chains, AL Series

Chain No.	ISO chain number	Pitch		Lacing	Pin diameter	Plate depth	Thickness of plates	Length over 100 pitches	Overall width	Bearing area	Width between outer plates	Required min. tensile strength ISO	Rexnord min. tensile strength	Fatigue strength	Weight
		p	p												
		ISO/DIN	inch												
AL 422	-			2 x 2					8.4	0.12	3.2	14 100	14 100	4 000	0.4
AL 444	-	0.50	12.7	4 x 4	3.96	10.2	1.5	1257	14.8	0.23	9.6	28 200	28 200	6 000	0.7
AL 466	-			6 x 6					21.2	0.35	16.0	42 300	42 300	7 500	1.0
AL 522	-			2 x 2					10.8	0.20	4.2	22 000	25 000	6 000	0.6
AL 544	-	0.625	15.875	4 x 4	5.08	12.8	2.0	1572	19.2	0.40	12.6	44 000	50 000	9 000	1.2
AL 566	-			6 x 6					27.6	0.60	21.0	66 000	75 000	11 500	1.8
AL 622	-			2 x 2					27.5	0.28	5.0	31 800	36 000	8 200	0.9
AL 644	-			4 x 4					23.0	0.57	15.0	63 600	72 000	12 300	1.7
AL 666	-	0.75	19.05	6 x 6	5.94	14.8	2.4	1909	33.1	0.85	25.0	95 400	108 000	15 500	2.5
AL 688	-			8 x 8					43.2	1.14	35.0	127 200	144 000		3.3
AL 822	-			2 x 2					16.6	0.51	6.3	56 700	65 000	12 000	1.5
AL 844	-	1.00	25.4	4 x 4	7.92	20.5	3.1	2540	29.5	1.01	19.0	113 400	130 000	18 000	3.0
AL 866	-			6 x 6					42.4	1.52	31.8	170 100	195 000	23 000	4.5



Leaf chains AL Series - American type, light series

High Performance from Rexnord.



Excellent Corrosion Protection

- 8-10 times better than the best competitors
- More than 100% better in the buckling test
- Highly versatile, also suitable for aggressive environments



Improved Wear Resistance

- 8-12% improvement in comparison to predecessor
- Great protection through RexPro lubrication
- Long working life
- High operating reliability



High Fatigue Resistance

- Ball-drifted plate holes
- Shot-peened chain links
- High pre-loading



Eco friendly

- Through RexPro lubrication
- No heavy metals; Teflon- and silicone-free
- Environmental management system conforms to DIN EN ISO 14001

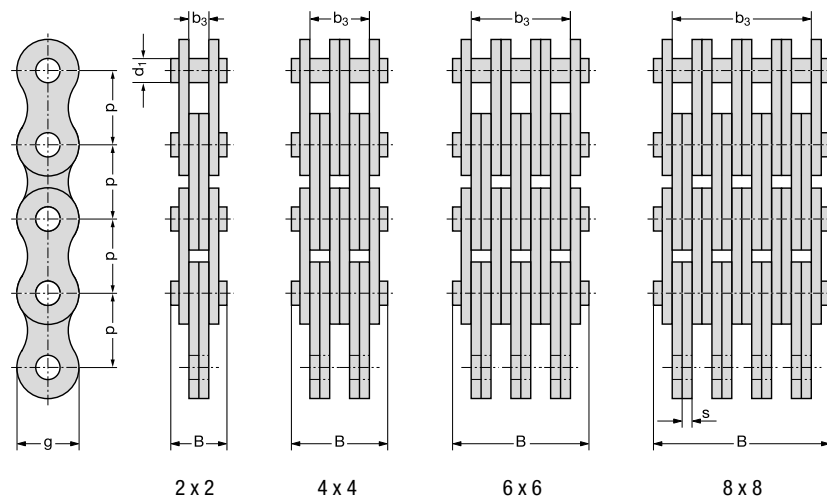


Rexnord meets the requirements of Machine Directive 2006/42/EC

Tabelle 2 von 2

Leaf chains, AL Series

Chain No.	ISO chain number	Pitch		Lacing	Pin diameter	Plate depth	Thickness of plates	Length over 100 pitches	Overall width	Bearing area	Width between outer plates	Required min. tensile strength ISO	Rexnord min. tensile strength	Fatigue strength	Weight
		p	mm		d ₁ max.	g	s		B max.	A	b ₃ min.				
					mm	mm	mm		mm	cm ²	mm				
AL 1044	-	1.25	31.75	4 x 4	9.53	25.7	4.0	3175	37.3	1.52	24.6	177 000	210 000	36 000	4.9
AL 1066	-			6 x 6					54.0	2.29	41.0	265 500	315 000	46 000	7.3
AL 1244	-	1.50	38.1	4 x 4	11.10	29.4	4.7	3810	43.7	2.08	28.8	254 000	270 000	-	6.4
AL 1266	-			6 x 6					63.4	3.12	48.0	381 000	405 000	-	9.5
AL 1288	-			8 x 8					83.0	4.17	67.2	508 000	540 000	-	12.7
AL 1444	-			4 x 4					51.2	2.80	33.6	372 000	390 000	-	9.6
AL 1466	-	1.75	44.45	6 x 6	12.70	36.0	5.5	4445	74.5	4.20	56.0	558 000	585 000	-	14.4
AL 1644	-			4 x 4					58.2	3.60	38.4	428 000	450 000	-	12.5
AL 1666	-	2.00	50.8	6 x 6	14.27	41.2	6.3	5080	85.0	5.39	64.0	642 000	675 000	-	18.9



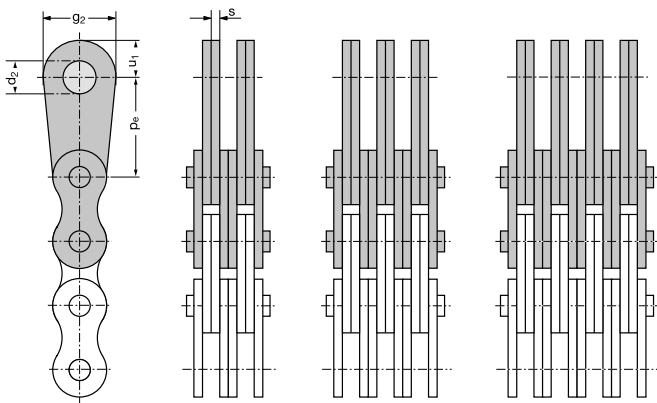
Leaf chain anchoring

Chain No.	End link order no.		Dimensions in mm				
	IEG	AEG	Pe	d ₂ A11	g ₂	s	u ₁
AL 644	170 - 118 - 44	45	25	10	19.8	2.4	11.2
AL 666	170 - 118 - 66	65					
AL 688	170 - 118 - 88	85					
AL 1044	170 - 130 - 44	45	40	14	30.0	4.0	18.0
AL 1066	170 - 130 - 66	65					

End links are available as inner and outer links. Ordering example for end links to fit leaf chain AL 644:

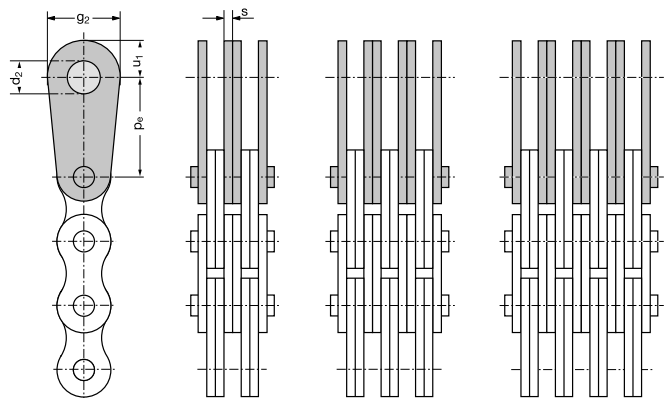
a) as IEG (inner end link): 170-118-44 b) as AEG (outer end link): 170-118-45

End links as inner links (IEG)



Scope of delivery:
End links (pear-shaped) along with leaf chain
outer link supplied as a complete ready-to-riquet sub-assembly.

End links as outer links (AEG)



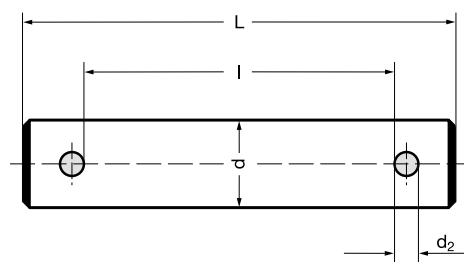
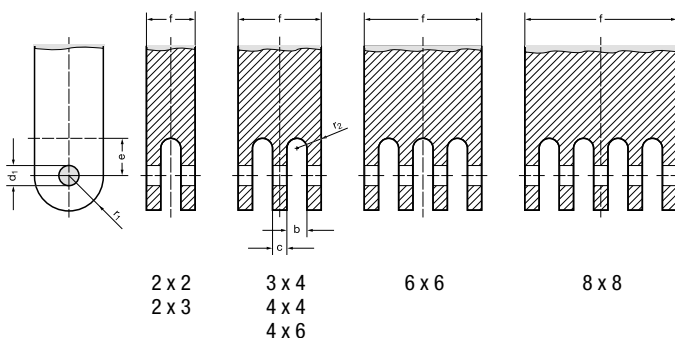
Scope of delivery:
End links (pear-shaped) and matching
ready-to-riquet pin.

Recommended chain anchor dimensions for connecting leaf chain inner links

Chain No.	Inner link connector dimensions Dimensions in mm						
	f	b	c	d ₁	e	r ₁	r ₂
	max.	min.	max.	D 10	min.	max.	max.
AL 522	10.7	4.2	–	5.1	9.0	6.5	2.0
AL 544	18.9	4.2	4.0				2.0
AL 566	26.9	4.2	4.0				2.0
AL 588	35.4	4.2	4.0				2.0
AL 622	12.7	5.0	–	6.0	11.0	8.0	2.0
AL 644	22.4	5.0	4.8				2.0
AL 666	31.9	5.0	4.8				2.0
AL 688	42.4	5.0	4.8				2.0
AL 844	29.9	6.8	6.4	8.0	14.0	9.5	3.0
AL 866	42.9	6.8	6.4				3.0
AL 888	56.4	6.8	6.4				3.0
AL 1044	36.9	8.5	8.0				4.0
AL 1066	52.9	8.5	8.0	9.6	18.0	12.5	4.0
AL 1088	69.4	8.5	8.0				4.0
AL 1244	44.0	10.0	9.4	11.2	22.0	15.0	5.0
AL 1266	63.0	10.0	9.4				5.0
AL 1288	79.7	10.0	9.4				5.0
AL 1444	51.7	11.8	11.0				5.0
AL 1466	75.1	11.8	11.0	12.8	26.0	19.0	5.0
AL 1488	98.4	11.8	11.0				5.0
AL 1644	58.4	13.4	12.6	14.3	31.0	22.0	6.0
AL 1666	84.9	13.4	12.6				6.0

Connecting pin for attaching leaf chains to chain anchor

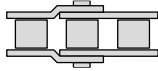
Chain No.	Connecting pin order no.	Connecting pin dimensions Dimensions in mm			
		l min.	L max.	d max.	d ₂
		AL 522	709-305-22	10.8	17.0
AL 544	709-305-44	19.0	25.2		
AL 566	709-305-66	27.0	33.3		
AL 588	709-305-88	35.5	41.8		
AL 622	709-355-22	12.8	19.4	5.94	2.0
AL 644	709-355-44	22.5	29.1		
AL 666	709-355-66	32.0	38.7		
AL 688	709-355-88	42.5	49.3		
AL 844	709-307-44	30.0	40.7	7.92	3.2
AL 866	709-307-66	43.0	53.7		
AL 888	709-307-88	56.5	67.2		
AL 1044	709-309-44	37.0	47.7		
AL 1066	709-309-66	53.0	63.7	9.53	3.2
AL 1088	709-309-88	69.5	80.3		
AL 1244	709-311-44	44.2	56.6	11.1	4.0
AL 1266	709-311-66	63.2	75.6		
AL 1288	709-311-88	79.9	92.4		
AL 1444	709-312-44	50.0	64.4		
AL 1466	709-312-66	75.3	87.8	12.7	4.0
AL 1488	709-312-88	98.6	111.1		
AL 1644	709-314-44	58.6	71.1	14.27	4.0
AL 1666	709-314-66	85.1	97.7		



All pins are fitted with 2 cotters and – from BL 1234 and F 38 upwards – with 2 additional washers.

Overview Rexnord roller chains

Roller Chains



REXNORD

RexPro
RexPro lubrication
improved wear resistance
high fatigue resistance

- Outstanding protection against corrosion and wear
- Unique protection against chain joint stiffness
- Extremely eco-friendly

REXNORD

RexAthletic
good loading capacity
extended lubrication intervals

- Durable and low-maintenance
- Longer servicing intervals
- High loading capacity

REXNORD

RexCarbon
no lubrication
low noise

- Maintenance-free
- Low noise
- Eco-friendly

REXNORD

RexPlus
excellent corrosion resistance
high reliability

- Excellent resistance to rust and acids
- Highly reliable
- Fulfills hygiene requirements
- NSF H1 certification

REXNORD

RexPlusCarbon
no lubrication
excellent corrosion resistance

- Combination of RexPlus and RexCarbon
- Excellent resistance to rust and acids
- Maintenance-free
- NSF H1 certification

REXNORD

RexHiPro
good corrosion resistance
excellent loading capacity

- Outstanding corrosion resistance
- Long service life
- High loading capacity

Link-Belt
a brand of REXNORD

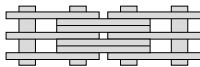
- The optimum choice for light and medium duty
- Good cost-benefit ratio
- High availability

REXNORD

RexProX
RexPro lubrication
improved wear resistance
high fatigue resistance

- Extremely high loading capacity
- Long service life
- Outstanding protection against corrosion and wear

Leaf Chains



REXNORD

RexPro
RexPro lubrication
improved wear resistance
high fatigue resistance

- Outstanding protection against corrosion and wear
- Unique protection against chain joint stiffness
- Extremely eco-friendly

REXNORD

RexHiPro
good corrosion resistance
excellent loading capacity

- Outstanding corrosion resistance
- Long service life
- High loading capacity

REXNORD

RexAthletic
good loading capacity
extended lubrication intervals

- Durable and low-maintenance
- Longer servicing intervals
- High loading capacity
- Extreme wear resistance for double-length service life

REXDL
a brand of REXNORD

- The optimum choice for light and medium duty
- Good cost-benefit ratio
- Good availability



High Performance from Rexnord

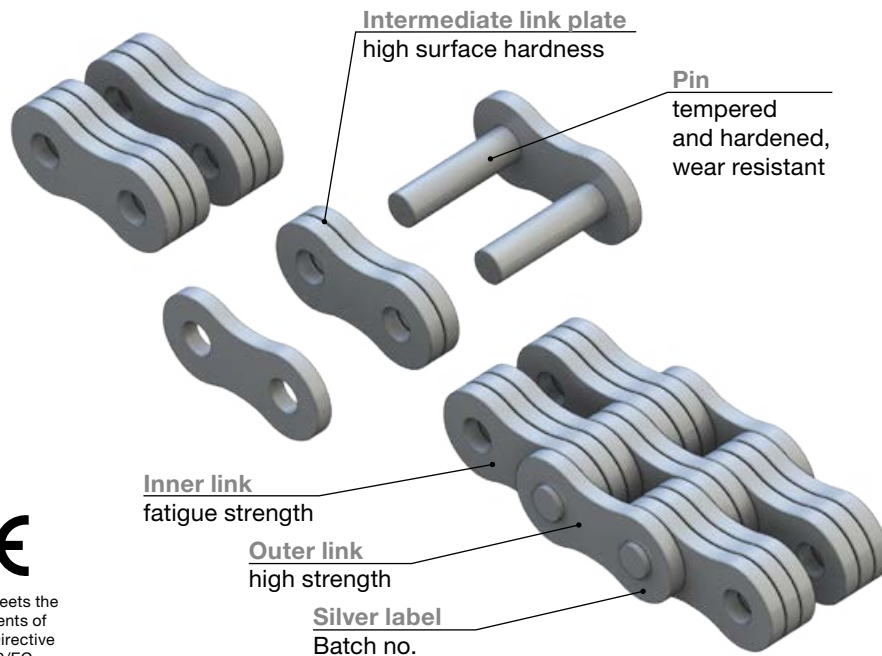
Leaf chains BL Series | American type

RexPro
RexPro lubrication
improved wear resistance
high fatigue resistance



Leaf chains BL-Series - American type

High Performance from Rexnord.



Rexnord meets the requirements of Machine Directive 2006/42/EC

APPLICATIONS

- Forklift trucks, telehandlers
- Material handling
- Machine tools

CHARACTERISTICS

- Improved protection against chain joint stiffness
- Improved wear resistance
- Excellent corrosion resistance
- Very eco-friendly
- Made from high-quality materials
- Ball-drifted plate holes
- "Silver label" batch number for better traceability
- Shot-peened pins and link plates
- NSF H2 certification, RoHS:2005 conformity

ADVANTAGES

- Minimal running-in elongation
- Long service lifespan
- Extremely shock resistant
- Very robust, even in difficult conditions
- Maximum operating reliability
- Improved cost-effectiveness

LUBRICATION

- RexPro lubricants without heavy metals for outstanding protection
- Operating temperature: -30° C to +130° C (can be extended to -40° C to +250° C)
- Very good surface adhesion; drip-resistant even at high temperatures
- No heavy metals, Teflon- and silicone-free

RexPro - Leaf chains - High performance from Rexnord



Excellent Corrosion Protection

- 8-10 times better than the best competitors
- More than 100% better in the buckling test
- Highly versatile, also suitable for aggressive environments



Improved Wear Resistance

- 8-12% improvement in comparison to predecessor
- Great protection through RexPro lubrication
- Long working life
- High operating reliability



High Fatigue Resistance

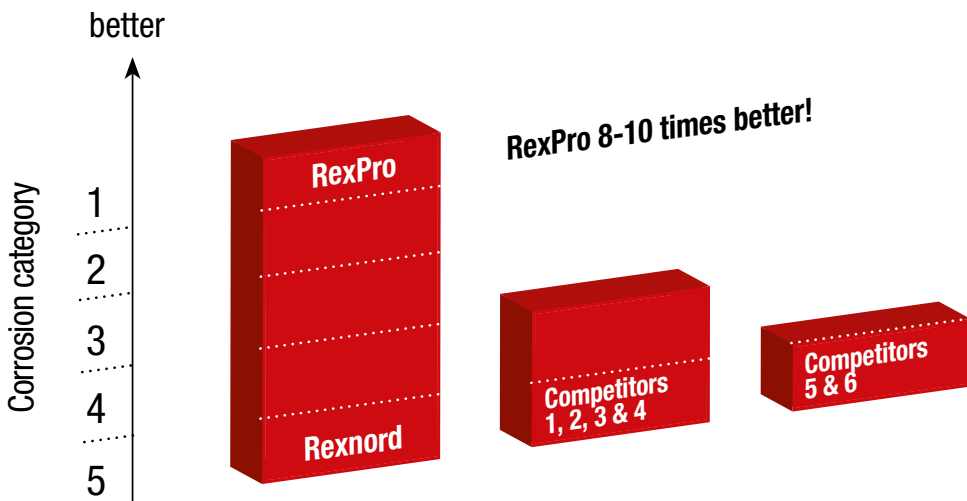
- Ball-drifted plate holes
- Shot-peened chain links
- High pre-loading



Eco friendly

- Through RexPro lubrication
- No heavy metals; Teflon- and silicone-free
- Environmental management system conforms to DIN EN ISO 14001

Salt spray test in accordance with DIN EN ISO 9227



Rexnord meets the requirements of Machine Directive 2006/42/EC

Leaf chains BL Series - American type, heavy series

High Performance from Rexnord.



Rexnord meets the requirements of Machine Directive 2006/42/EC



Excellent Corrosion Protection

- 8-10 times better than the best competitors
- More than 100% better in the buckling test
- Highly versatile, also suitable for aggressive environments



Improved Wear Resistance

- 8-12% improvement in comparison to predecessor
- Great protection through RexPro lubrication
- Long working life
- High operating reliability



High Fatigue Resistance

- Ball-drifted plate holes
- Shot-peened chain links
- High pre-loading



Eco friendly

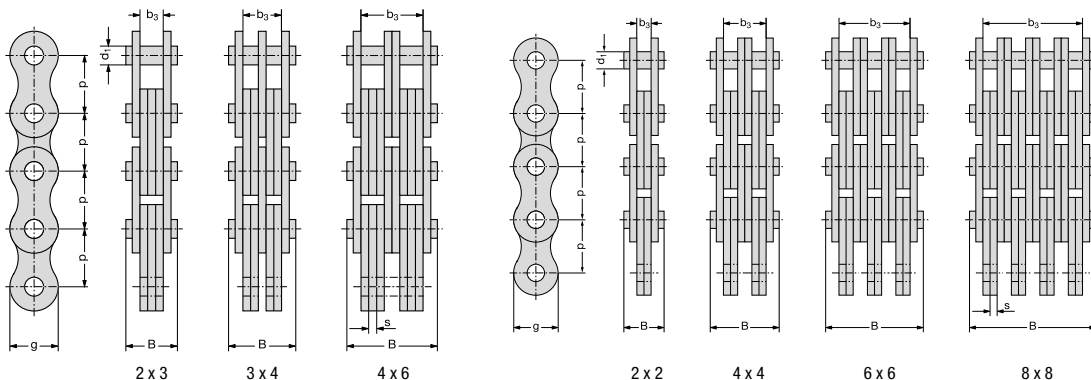
- Through RexPro lubrication
- No heavy metals; Teflon- and silicone-free
- Environmental management system conforms to DIN EN ISO 14001

Table 1 of 3

Leaf chains DIN ISO 4347 (DIN 8152)

Chain No.	ISO chain number	Pitch		Lacing	Pin diameter d ₁ max.	Plate depth g	Thickness of plates s	Length over 100 pitches ■	Overall width B max.	Bearing area A	Width between outer plates b ₃ min.	Required min. tensile strength ISO F _U	Rexnord min. tensile strength F _B	Fatigue strength F _D	Weight q
		inch	mm												
		p													
BL 422	LH 0822	0.50	12.7	2 x 2	5.08	11.7	2.0	1270	10.9	0.20	4.2	22 200	25 800		0.6
BL 423	LH 0823			2 x 3					13.0	0.30	6.3	22 200	25 800		0.7
BL 434	LH 0834			3 x 4					17.1	0.41	10.5	33 300	38 700		0.9
BL 444	LH 0844			4 x 4					19.25	0.41	12.6	44 400	51 600		1.1
BL 446	LH 0846			4 x 6					23.45	0.61	16.8	44 400	51 600		1.3
BL 466	LH 0866			6 x 6					27.6	0.61	21.0	66 600	77 400		1.6
BL 523	LH 1023	0.625	15.875	2 x 3	5.94	14.6	2.4	1596	15.0	0.43	7.4	33 400	40 000	10 500	1.1
BL 534	LH 1034			3 x 4					20.0	0.57	12.3	48 900	60 000	11 500	1.5
BL 544	LH 1044			4 x 4					22.5	0.57	14.7	66 700	80 000	12 000	1.8
BL 546	LH 1046			4 x 6					27.4	0.86	19.5	66 700	80 000	14 000	2.3
BL 566	LH 1066			6 x 6					32.3	0.86	24.6	100 100	120 000	15 200	2.6
BL 588	LH 1088			8 x 8					42.2	1.14	34.3	133 000	160 000	17 000	3.4
BL 622	LH 1222	0.75	19.05	2 x 2	7.92	17.9	3.1	1905	16.6	0.51	6.4	48 900	62 000	13 000	1.5
BL 623	LH 1223			2 x 3					19.9	0.74	9.6	48 900	62 000	16 300	1.8
BL 634	LH 1234			3 x 4					26.5	0.98	16.0	75 600	93 000	17 400	2.5
BL 644	LH 1244			4 x 4					29.7	0.98	19.2	97 900	124 000	19 000	2.9
BL 646	LH 1246			4 x 6					36.3	1.47	25.6	97 900	124 000	21 500	3.6
BL 666	LH 1266			6 x 6					42.7	1.47	32.0*	146 000	186 000	24 500	4.3

* Please contact Rexnord regarding precision of fit with ISO anchors



Leaf chains BL Series - American type, heavy series

High Performance from Rexnord.



Excellent Corrosion Protection

- 8-10 times better than the best competitors
- More than 100% better in the buckling test
- Highly versatile, also suitable for aggressive environments



Improved Wear Resistance

- 8-12% improvement in comparison to predecessor
- Great protection through RexPro lubrication
- Long working life
- High operating reliability



High Fatigue Resistance

- Ball-drifted plate holes
- Shot-peened chain links
- High pre-loading



Eco friendly

- Through RexPro lubrication
- No heavy metals; Teflon- and silicone-free
- Environmental management system conforms to DIN EN ISO 14001



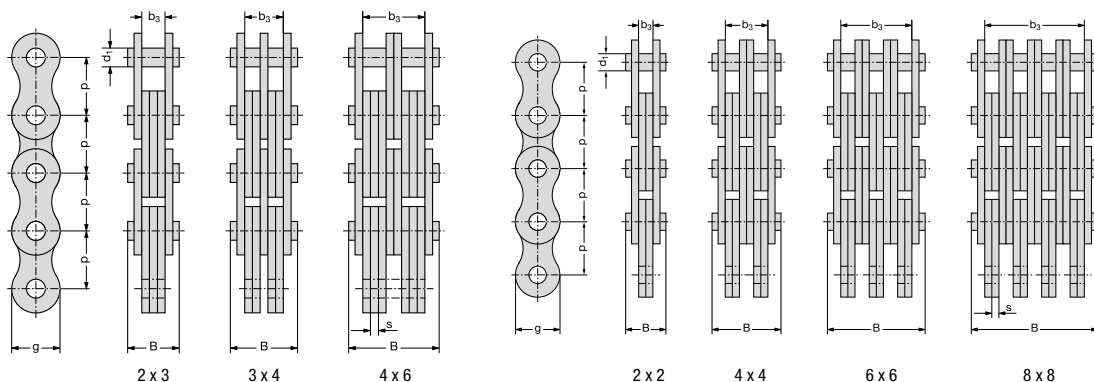
Rexnord meets the requirements of Machine Directive 2006/42/EC

Table 2 of 3

Leaf chains DIN ISO 4347 (DIN 8152)

Chain No.	ISO chain number	Pitch		Lacing	Pin diameter	Plate depth	Thickness of plates	Length over 100 pitches	Overall width	Bearing area	Width between outer plates	Required min. tensile strength ISO	Rexnord min. tensile strength	Fatigue strength	Weight
		p													
		inch	mm												
					d ₁ max.	g	s	■	B max.	A	b ₃ min.	F _U	F _B	F _D	q
					mm	mm	mm	mm	mm	cm ²	mm	N	N	N	kg/m
BL 822	LH 1622	1.00	25.4	2 x 2	9.53	23.6	4.0	2540	20.6	0.74	8.2	84 500	110 000	22 000	2.4
BL 823	LH 1623			2 x 3					24.8	1.14	12.3	84 500	110 000	30 000	3.0
BL 834	LH 1634			3 x 4					33.1	1.53	20.5	129 900	165 000	32 000	4.2
BL 844	LH 1644			4 x 4					37.3	1.53	24.6	169 000	220 000	33 500	4.8
BL 846	LH 1646			4 x 6					45.6	2.29	32.9	169 000	220 000	38 500	6.0
BL 866	LH 1666			6 x 6					54.1	2.29	41.3	253 600	330 000	42 000	7.2
BL 888	LH 1688	8 x 8	70.8	3.05	57.9	338 000	440 000	45 000	9.6						
BL 1023	LH 2023	1.25	31.75	2 x 3	11.10	29.2	4.7	3179	28.9	1.57	14.4	115 600	164 000	47 500	4.4
BL 1034	LH 2034			3 x 4					38.7	2.09	24.1	182 400	246 000	50 000	6.2
BL 1044	LH 2044			4 x 4					43.6	2.09	29.0	231 200	328 000	55 000	7.0
BL 1046	LH 2046			4 x 6					53.6	3.13	38.9	231 200	328 000	62 000	8.7
BL 1066	LH 2066			6 x 6					63.4	3.13	48.6	347 000	492 000	69 000	10.5
BL 1088	LH 2088			8 x 8					83.1	4.18	68.2	462 400	656 000	74 000	13.9

* Please contact Rexnord regarding precision of fit with ISO anchors



Leaf chains BL Series - American type, heavy series

High Performance from Rexnord.



Rexnord meets the requirements of Machine Directive 2006/42/EC



Excellent Corrosion Protection

- 8-10 times better than the best competitors
- More than 100% better in the buckling test
- Highly versatile, also suitable for aggressive environments



Improved Wear Resistance

- 8-12% improvement in comparison to predecessor
- Great protection through RexPro lubrication
- Long working life
- High operating reliability



High Fatigue Resistance

- Ball-drifted plate holes
- Shot-peened chain links
- High pre-loading



Eco friendly

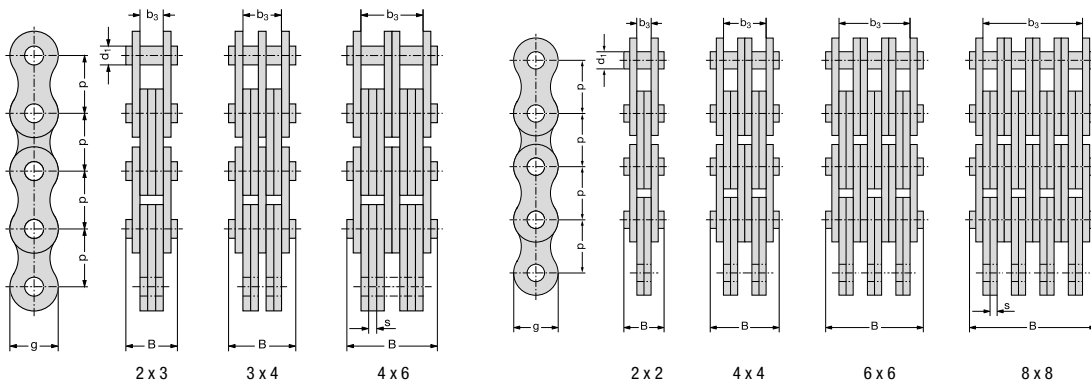
- Through RexPro lubrication
- No heavy metals; Teflon- and silicone-free
- Environmental management system conforms to DIN EN ISO 14001

Table 3 of 3

Leaf chains DIN ISO 4347 (DIN 8152)

Chain No.	ISO chain number	Pitch		Lacing	Pin diameter	Plate depth	Thickness of plates	Length over 100 pitches	Overall width	Bearing area	Width between outer plates	Required min. tensile strength ISO	Rexnord min. tensile strength	Fatigue strength	Weight
		p	p		d ₁ max.	g	s	■	B max.	A	b ₃ min.	F _U	F _B	F _D	q
		inch	mm		mm	mm	mm	mm	mm	mm	cm ²	mm	N	N	N
BL 1223	LH 2423	1.50	38.1	2 x 3	12.7	34.4	5.5	3810	33.6	2.10	16.8	151 200	200 000	64 000	6.0
BL 1234	LH 2434			3 x 4					45.5	2.80	28.0	224 600	300 000	68 000	8.3
BL 1244	LH 2444			4 x 4					51.2	2.80	33.6	302 400	400 000	72 000	9.5
BL 1246	LH 2446			4 x 6					62.7	4.20	44.8	302 400	400 000	82 500	11.8
BL 1266	LH 2466			6 x 6					74.5	4.20	56.0*	453 600	600 000	90 000	14.1
BL 1288	LH 2488	8 x 8	97.8	5.40	78.4	604 800	800 000	98 000	18.8						
BL 1423	LH 2823	1.75	44.45	2 x 3	14.27	40.8	6.3	4445	38.2	2.70	19.2	191 300	250 000	8.3	
BL 1434	LH 2834			3 x 4					51.7	3.60	32.0	315 800	375 000	11.6	
BL 1444	LH 2844			4 x 4					58.2	3.60	38.4	382 600	500 000	13.2	
BL 1446	LH 2846			4 x 6					71.5	5.40	51.2	382 600	500 000	16.4	
BL 1466	LH 2866			6 x 6					85.0	5.40	64.0*	578 300	750 000	19.7	
BL 1488	LH 2888	8 x 8	111.7	7.20	89.6	765 200	1 000 000	25.9							
BL 1623	LH 3223	2.00	50.8	2 x 3	17.46	47.9	7.0	5080	42.1	3.67	21.3*	289 100	360 000	11.0	
BL 1634	LH 3234			3 x 4					57.0	4.89	35.5*	440 400	540 000	15.4	
BL 1644	LH 3244			4 x 4					63.8	5.00	42.6*	578 200	720 000	17.5	
BL 1646	LH 3246			4 x 6					78.9	7.33	56.8*	578 200	720 000	21.8	
BL 1666	LH 3266			6 x 6					95.0	7.33	73.7*	867 400	1 080 000	26.2	
BL 1688	LH 3288	8 x 8	125.6	9.78	103.5	1 156 400	1 440 000	34.9							

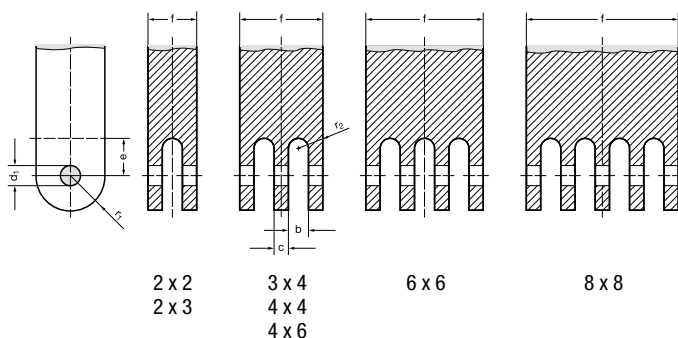
* Please contact Rexnord regarding precision of fit with ISO anchors



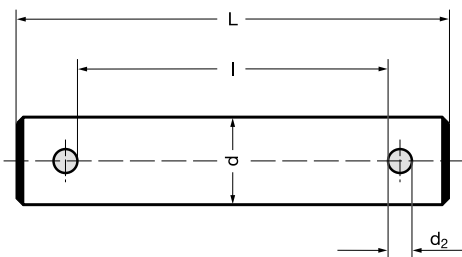
Recommended chain anchor dimensions for connecting leaf chain inner links

Connecting pin for attaching leaf chains to chain anchor

Chain No.	Inner link connector dimensions Dimensions in mm									
	f	b	c	d ₁	e	r ₁	r ₂			
	max.	min.	max.	D 10	min.	max.	max.			
BL 422	10.7	4.2	–	5.1	9.0	6.5	2.0			
BL 423	12.6	6.4	–				3.0			
BL 434	16.9	4.2	2.0				2.0			
BL 444	18.9	4.2	4.0				2.0			
BL 446	22.9	6.4	4.0				3.0			
BL 466	26.9	4.2	4.0				2.0			
BL 488	35.4	4.2	4.0				2.0			
BL 522	12.7	5.0	–	6.0	11.0	8.0	2.0			
BL 523	14.9	7.5	–				2.0			
BL 534	19.9	5.0	2.4				2.0			
BL 544	22.4	5.0	4.8				2.0			
BL 546	26.9	7.5	4.8				2.0			
BL 566	31.9	5.0	4.8				2.0			
BL 588	42.4	5.0	4.8				2.0			
BL 623	19.9	10.3	–	8.0	14.0	9.5	5.0			
BL 634	26.9	6.8	3.2				3.0			
BL 644	29.9	6.8	6.4				3.0			
BL 646	36.9	10.3	6.4				3.0			
BL 666	42.9	6.8	6.4				3.0			
BL 688	56.4	6.8	6.4				3.0			
BL 823	24.9	12.8	–				9.6	18.0	12.5	6.0
BL 834	32.9	8.5	4.0	4.0						
BL 844	36.9	8.5	8.0	4.0						
BL 846	45.9	12.8	8.0	6.0						
BL 866	52.9	8.5	8.0	4.0						
BL 888	69.4	8.5	8.0	4.0						
BL 1023	69.4	15.1	8.0	11.2	22.0	15.0				4.0
BL 1034	39.0	10.0	4.7				5.0			
BL 1044	44.0	10.0	9.4				5.0			
BL 1046	54.0	15.1	9.4				7.0			
BL 1066	63.0	10.0	9.4				5.0			
BL 1088	79.7	10.0	9.4				5.0			
BL 1223	34.3	17.7	–				12.8	26.0	19.0	8.0
BL 1234	46.0	11.8	5.5	5.0						
BL 1244	51.7	11.8	11.0	5.0						
BL 1246	63.3	17.7	11.0	8.0						
BL 1266	75.1	11.8	11.0	5.0						
BL 1288	98.4	11.8	11.0	5.0						
BL 1423	38.5	20.1	–	14.3	31.0	22.0				10.0
BL 1434	52.0	13.4	6.3				6.0			
BL 1444	58.4	13.4	12.6				6.0			
BL 1446	71.5	20.1	12.6				10.0			
BL 1466	84.9	13.4	12.6				6.0			
BL 1623	42.8	22.5	–				17.5	34.0	25.0	10.0
BL 1634	57.7	15.0	7.1							7.0
BL 1644	65.4	15.0	14.2	7.0						
BL 1646	79.6	22.5	14.2	10.0						
BL 1666	94.3	15.0	14.2	7.0						
BL 1688	123.7	15.0	14.2	7.0						



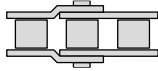
Chain No.	Connecting pin order no.	Connecting pin dimensions Dimensions in mm					
		l min.	L max.	d max.	d ₂		
BL 422	709 – 305 – 22	10.8	17.0	5.08	1.6		
BL 423	709 – 305 – 23	12.7	18.9				
BL 434	709 – 305 – 34	17.0	23.2				
BL 444	709 – 305 – 44	19.0	25.2				
BL 446	709 – 305 – 46	23.0	29.2				
BL 466	709 – 305 – 66	27.0	33.3				
BL 488	709 – 305 – 88	35.5	41.8				
BL 522	709 – 355 – 22	12.8	19.4	5.94	2.0		
BL 523	709 – 355 – 23	15.0	21.6				
BL 534	709 – 355 – 34	20.0	26.6				
BL 544	709 – 355 – 44	22.5	29.1				
BL 546	709 – 355 – 46	27.0	33.7				
BL 566	709 – 355 – 66	32.0	38.7				
BL 588	709 – 355 – 88	42.5	49.3				
BL 623	709 – 307 – 23	20.0	30.7	7.92	3.2		
BL 634	709 – 307 – 34	27.0	37.7				
BL 644	709 – 307 – 44	30.0	40.7				
BL 646	709 – 307 – 46	37.0	47.7				
BL 666	709 – 307 – 66	43.0	53.7				
BL 688	709 – 307 – 88	56.5	67.2				
BL 823	709 – 309 – 23	25.0	35.7			9.53	3.2
BL 834	709 – 309 – 34	33.0	43.7				
BL 844	709 – 309 – 44	37.0	47.7				
BL 846	709 – 309 – 46	46.0	56.7				
BL 866	709 – 309 – 66	53.0	63.7				
BL 888	709 – 309 – 88	69.5	80.3				
BL 1023	709 – 311 – 23	30.0	42.4	11.1	4.0		
BL 1034	709 – 311 – 34	39.2	51.6				
BL 1044	709 – 311 – 44	44.2	56.6				
BL 1046	709 – 311 – 46	54.2	66.6				
BL 1066	709 – 311 – 66	63.2	75.6				
BL 1088	709 – 311 – 88	79.9	92.4				
BL 1223	709 – 312 – 23	34.5	46.9			12.7	4.0
BL 1234	709 – 312 – 34	46.2	58.6				
BL 1244	709 – 312 – 44	51.9	64.4				
BL 1246	709 – 312 – 46	63.5	76.0				
BL 1266	709 – 312 – 66	75.3	87.8				
BL 1288	709 – 312 – 88	98.6	111.1				
BL 1423	709 – 314 – 23	38.7	51.1	14.27	4.0		
BL 1434	709 – 314 – 34	52.2	64.6				
BL 1444	709 – 314 – 44	58.6	71.1				
BL 1446	709 – 314 – 46	71.7	84.2				
BL 1466	709 – 314 – 66	85.1	97.7				
BL 1623	709 – 317 – 23	43.1	60.6			17.46	5.0
BL 1634	709 – 317 – 34	58.0	75.5				
BL 1644	709 – 317 – 44	65.7	82.9				
BL 1646	709 – 317 – 46	79.9	97.4				
BL 1666	709 – 317 – 66	94.6	112.2				
BL 1688	709 – 317 – 88	124.0	141.6				



All pins are fitted with 2 cotters and – from BL 1234 with 2 additional washers.

Overview Rexnord roller chains

Roller Chains



REXNORD

RexPro
RexPro lubrication
improved wear resistance
high fatigue resistance

- Outstanding protection against corrosion and wear
- Unique protection against chain joint stiffness
- Extremely eco-friendly

REXNORD

RexAthletic
good loading capacity
extended lubrication intervals

- Durable and low-maintenance
- Longer servicing intervals
- High loading capacity

REXNORD

RexCarbon
no lubrication
low noise

- Maintenance-free
- Low noise
- Eco-friendly

REXNORD

RexPlus
excellent corrosion resistance
high reliability

- Excellent resistance to rust and acids
- Highly reliable
- Fulfills hygiene requirements
- NSF H1 certification

REXNORD

RexPlusCarbon
no lubrication
excellent corrosion resistance

- Combination of RexPlus and RexCarbon
- Excellent resistance to rust and acids
- Maintenance-free
- NSF H1 certification

REXNORD

RexHiPro
good corrosion resistance
excellent loading capacity

- Outstanding corrosion resistance
- Long service life
- High loading capacity

Link-Belt
a brand of REXNORD

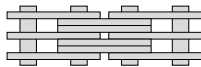
- The optimum choice for light and medium duty
- Good cost-benefit ratio
- High availability

REXNORD

RexProX
RexPro lubrication
improved wear resistance
high fatigue resistance

- Extremely high loading capacity
- Long service life
- Outstanding protection against corrosion and wear

Leaf Chains



REXNORD

RexPro
RexPro lubrication
improved wear resistance
high fatigue resistance

- Outstanding protection against corrosion and wear
- Unique protection against chain joint stiffness
- Extremely eco-friendly

REXNORD

RexHiPro
good corrosion resistance
excellent loading capacity

- Outstanding corrosion resistance
- Long service life
- High loading capacity

REXNORD

RexAthletic
good loading capacity
extended lubrication intervals

- Durable and low-maintenance
- Longer servicing intervals
- High loading capacity
- Extreme wear resistance for double-length service life

REXDL
a brand of REXNORD

- The optimum choice for light and medium duty
- Good cost-benefit ratio
- Good availability