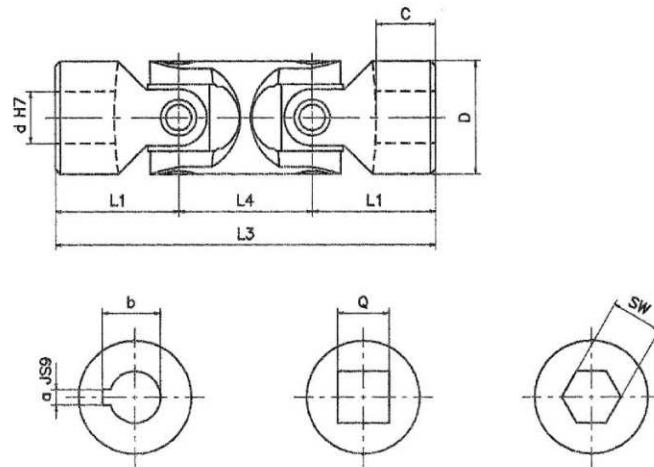




- Bussole di scorrimento anti-usura in acciaio cementato e temperato.
Wear resistant sliding bushes from cemented and hardened steel.
- Robusti precisi e versatili; vasto campo di applicazione.
Strong precise and versatile; wide application field.
- Angolo max: 90°. Giri max. 1000/min.
Max angle: 90°. Max speed 1000 R.P.M.
- "GD" corrispondenti DIN 808 - "GBD" corrispondenti DIN 808/7551
"GD" to DIN 808 - "GBD" to DIN 808/7551
- Esecuzioni speciali a richiesta.
Special executions on request.



Mod. Type	Codice / Code	d	D	L3	L1	L4	C	Codice / Code	Codice / Code	a	b	Codice / Code	Q	* SW	Peso Weight Kg
01GD	SGOD 0600	6	16	56	17	22	8	SGOD 061C	SGOD 062C	2	7	SGOD 062Q	6	6	0,08
02GD	SGOD 0800	8	16	62	20	22	11	SGOD 081C	SGOD 082C	2	9	SGOD 082Q	8	8	0,08
03GD	SGOD 1000	10	22	74	24	26	12	SGOD 101C	SGOD 102C	3	11,4	SGOD 102Q	10	10	0,15
04GD	SGOD 1200	12	25	86	28	30	13	SGOD 121C	SGOD 122C	4	13,8	SGOD 122Q	12	12	0,25
05GD	SGOD 1400	14	28	96	30	36	14	SGOD 141C	SGOD 142C	5	16,3	SGOD 142Q	14	14	0,40
1GD	SGOD 1600	16	32	104	34	36	16	SGOD 161C	SGOD 162C	5	18,3	SGOD 162Q	16	16	0,45
2GD	SGOD 1800	18	36	114	37	40	17	SGOD 181C	SGOD 182C	6	20,8	SGOD 182Q	18	18	0,70
3GD	SGOD 2000	20	42	128	41	46	18	SGOD 201C	SGOD 202C	6	22,8	SGOD 202Q	20	20	1,00
4GD	SGOD 2200	22	45	145	47,5	50	22	SGOD 221C	SGOD 222C	6	24,8	SGOD 222Q	22	22	1,55
5GD	SGOD 2500	25	50	163	54	55	26	SGOD 251C	SGOD 252C	8	28,3	SGOD 252Q	25	25	2,00
6GD	SGOD 3000	30	58	190	61	68	29	SGOD 301C	SGOD 302C	8	33,3	SGOD 302Q	30	30	2,90
6GD1	SGOD 3200	32	58	198	65	68	33	SGOD 321C	SGOD 322C	10	35,3	SGOD 322Q	30	30	3,00
7GD	SGOD 3500	35	70	212	70	72	35	SGOD 351C	SGOD 352C	10	38,3	—	**	**	4,75
8GD	SGOD 4000	40	80	245	80	85	39	SGOD 401C	SGOD 402C	12	43,3	—	**	**	7,20
9GD	SGOD 5000	50	95	290	95	100	46	SGOD 501C	SGOD 502C	14	53,8	—	**	**	12,00
03GBD	SGBD 1000	10	16	74	26	22	15	SGBD 101C	SGBD 102C	3	11,4	SGBD 082Q	8	8	0,08
04GBD	SGBD 1200	12	22	88	31	26	18	SGBD 121C	SGBD 122C	4	13,8	SGBD 102Q	10	10	0,20
1GBD	SGBD 1600	16	25	104	37	30	21	SGBD 161C	SGBD 162C	5	18,3	SGBD 122Q	12	12	0,30
3GBD	SGBD 2000	20	32	124	43	38	24	SGBD 201C	SGBD 202C	6	22,8	SGBD 162Q	16	16	0,50
5GBD	SGBD 2500	25	42	156	54	48	31	SGBD 251C	SGBD 252C	8	28,3	SGBD 202Q	20	20	1,20
6GBD	SGBD 3000	30	50	188	66	56	38	SGBD 301C	SGBD 302C	8	33,3	SGBD 252Q	25	25	1,70
8GBD	SGBD 4000	40	70	238	83	72	47	SGBD 401C	SGBD 402C	12	43,3	—	**	**	4,30